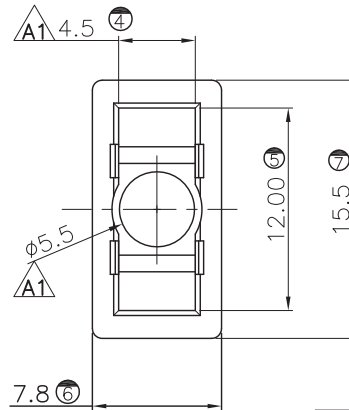
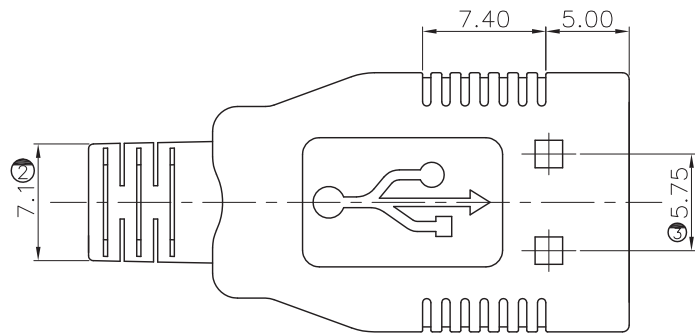


NOTES
 MATERIAL: PVC
 BURR: 0.05mm MAX. ON CONTACT AREA.
 ◉ MARK IS MAJOR TEST DIMENSION.



2012/05/21	XIE	EG-N1212003	更正尺寸	$\triangle A1$	A1				
2008/02/26	SYSTEM		NEW DWG		A0				
DATE	DR.BY	ECN.NO.	DESCRIPTION	MARK	VER.				
-TOLERANCES- UNLESS OTHERWISE SPECIFIED 公差參考表			CnC Tech, LLC						
			\oplus ∇	TITLE: USB 4P A/M SOLDER附套					
X.X	± 0.20	X.X°	$\pm 3.00^\circ$	APPD:	PRODUCT NO: 1001-027-BL-01000				
X.XX	± 0.10	X.XX°	$\pm 1.00^\circ$	CHECK:	DATE	SCALE	UNIT	TYPE	PAGE
X.XXX	± 0.05	X.XXX°	$\pm 0.500^\circ$	DRAW:	2008/02/26	1:1	mm	Z	1/1