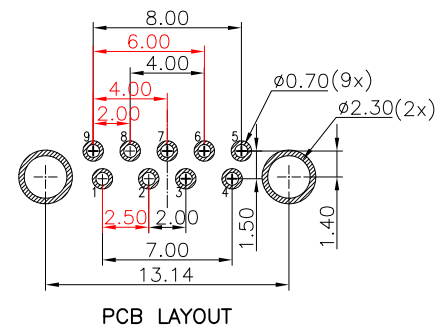
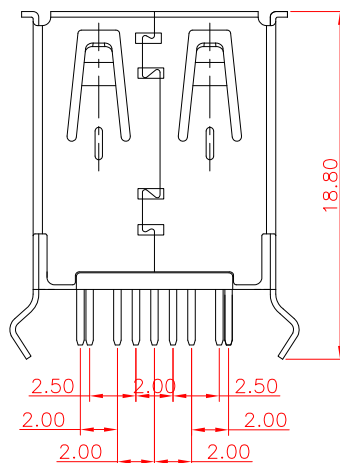
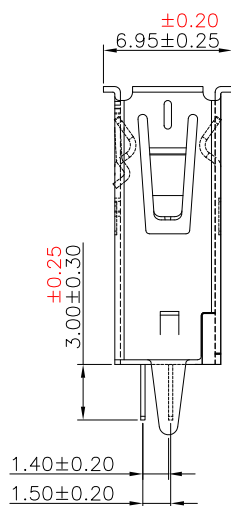
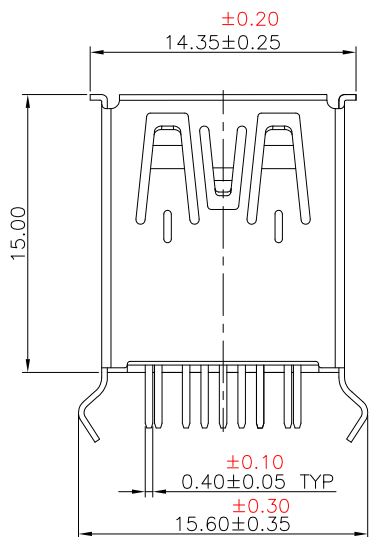


| Pin Number | Signal Name | Pin Number | Signal Name |
|------------|-------------|------------|-------------|
| 1 | VBUS | 6 | StdA_SSTX+ |
| 2 | D- | 7 | GND-DRAIN |
| 3 | D+ | 8 | StdA_SSRX- |
| 4 | GND | 9 | StdA_SSRX+ |
| 5 | StdA_SSTX- | Shell | Shield |

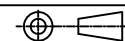
Specifications:

Current Rating:1.5A(DC)
 Contact Resistance:50m ohm. Max.
 Insulation Resistance:1,000M ohm. min.
 Withstanding Voltage:100V AC For One Minute
 Operating Temperature Range:-40°C ~ +105°C
 Material And Finish
 Insulator:PBT (UL94V-0)
 Insulator Color:Blue
 Contact:Phosphor Bronze
 Plating:15u" Gold Plated on Contact Area,
 Tin Plated on Solder Tail.
 Shell:Brass,Nickel Plated



Note: Dimension in red represents old dimension

RoHS Compliant

| | | | | | | | | |
|-----|-------------|------|----|-----------|---|--|----|---|
| | | | | DRAWN: | GENERAL TOLERANCE: .X=±0.25 .XX=±0.25 ±0.20 | <h1 style="text-align: center;">CnC Tech</h1> <p style="text-align: center;">Industrial Cable and Connector Technology</p> | | |
| | | | | CHECKED: | UNIT: MM | | | DESCRIPTION: USB 3.0 Straight Type Receptacle 15u" |
| | | | | | SCALE:1:1 | PART NO: | A4 | |
| | 05-FEB-2020 | | | APPROVAL: | SHEET: 1 / 2 | 1003-001-0100180 | | |
| REV | DATE | FILE | BY | | PROJECTION:  | | | |