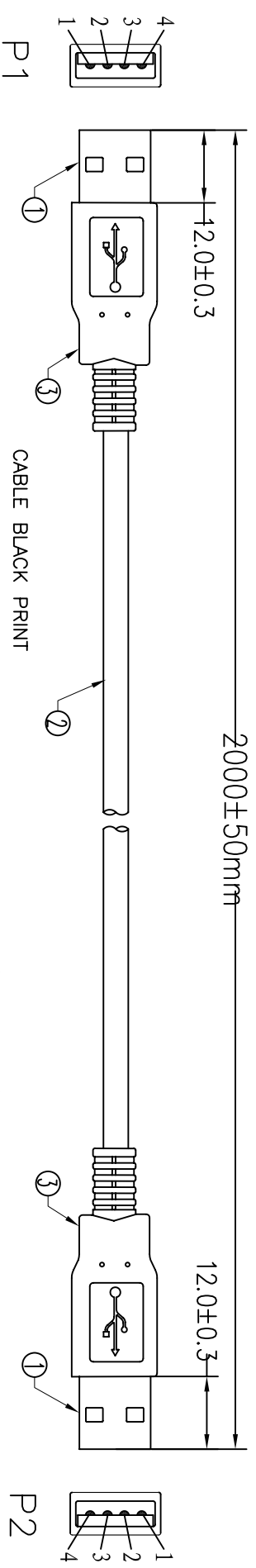
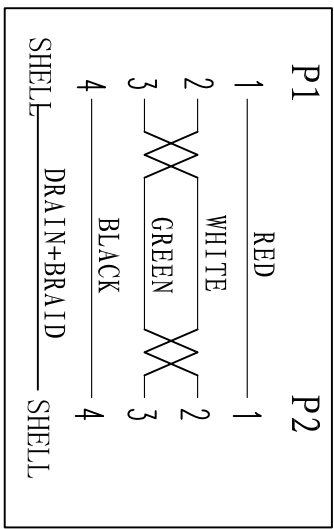


UNIT: mm

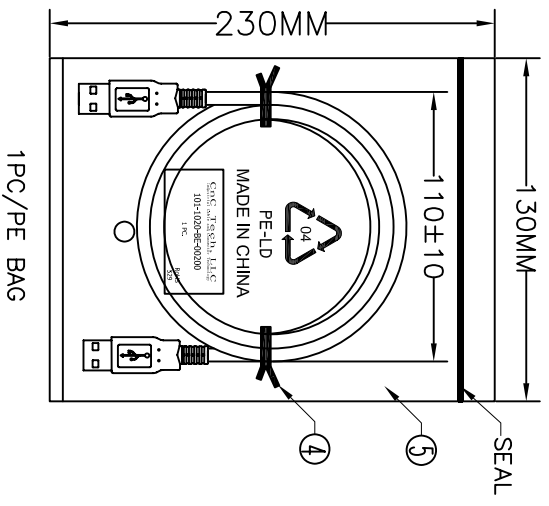


PIN ASSIGNMENT:



Electrical test:

1. 100% short, open, miswire test
2. Conduct resistance: 2 Ohm(max)
3. Insulation resistance: 5Mohm(min)
4. dielectric test: DC 300V



CABLE BLACK PRINT

HI-SPEED USB Revision 2.0 SHIELDED 28AWG/1P+24AWG/2C
E189529 RA AWM STYLE 2725 80°C 30V VW-1 VEGA TECH

CNC Tech, LLC
Industrial Cable and Connector Technology

⑥	PE BAG	1/10	CLEAR SIZE: 280*330*0.05mm	PRINT BLACK	MADE IN CHINA	"10PCS"
⑤	PE BAG	1	CLEAR SIZE: 130*230*0.05mm	PRINT BLACK	MADE IN CHINA	"1PC"
④	TIE	2	WHITE	L=100mm		
③	OUT JACKET	12g	BEIGE (1V-29#)	PVC-40P (MOULD NO: WM-40)		
②	CABLE	1	BEIGE (1V-29#)	USB2.0 UL2725 28#/1P+24#/2C+AFB	OD: 4.7mm	L=2000±10
①	CONN	2set	USB A MALE NICKEL	PIN G/F	3PCS	TYPE
NO.	NAME	Q'TY	SPECIFICATION			

4 3 2 1

DRAWN	Andy	DRAWING NO	
CHECKED		CUSTOMER	
APPROVAL		ITEM NO.	101-1020-BE-00200
DECIDED		DATE	2013-8-23
VERSIONS/EDITION	A/0	PROJECTION	

4 3 2 1