

1

2

3

4

5

Specifications:

Current rating:0.5A AC/DC.

Voltage rating:40V AC/DC

Contact resistance:30m ohm Max. 10m

Insulation resistance: 100M ohm. Min.

Withstanding voltage:500V AC/minute. 300V

Operating temperature range:-25°C~+85°C  
-20°C

Material:

Insulator:LCP(UL94V-0) Thermoplastic High-temp

Insulator Color:Black

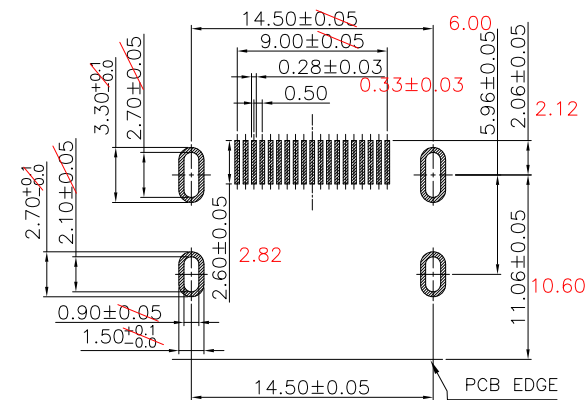
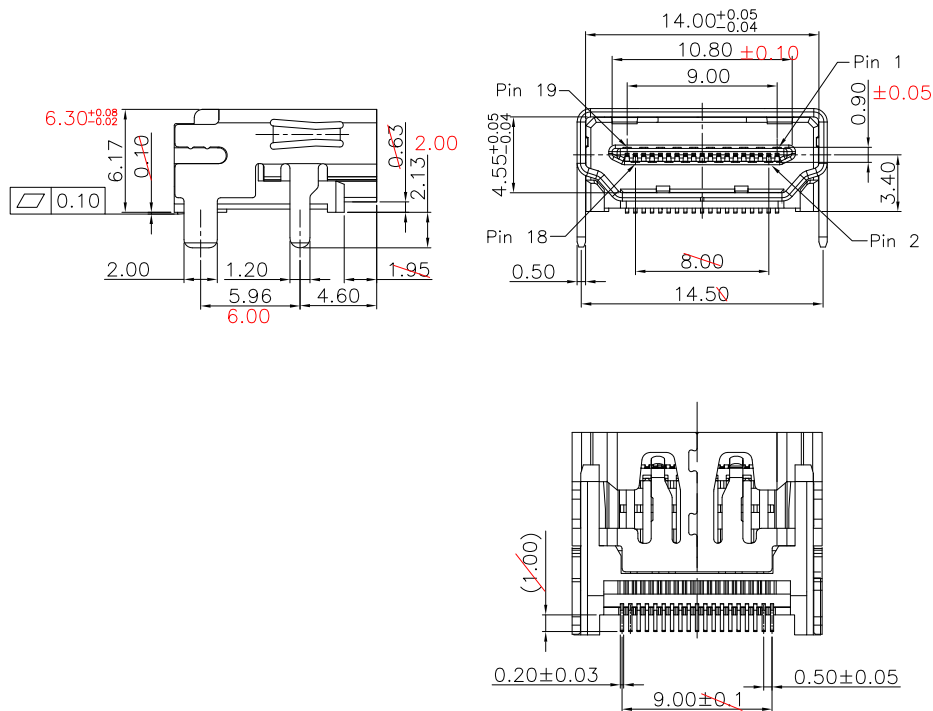
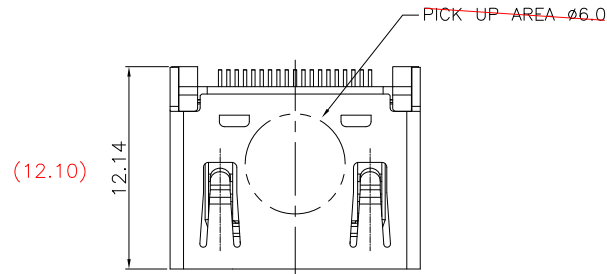
Contact:Copper Alloy

Plated:Gold Plated on Contact Area,

Tin Plated on Solder Tails.

Shell:SPCC, Nickel Plated

SPCC&amp;Copper Alloy, Au G.F or Ni 80u" ~ 120u"



PCB Layout

Note: Dimension in red represents old dimension

RoHS Compliant

DRAWN:

GENERAL TOLERANCE:

.X $\pm 0.25$ .XX $\pm 0.15$ **CnC Tech**

Industrial Cable and Connector Technology

CHECKED:

UNIT: MM

DESCRIPTION:

SIZE

SCALE:1:1

HDMI Female A Type R/A SMD Type

APPROVAL:

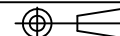
SHEET: 1 / 2

PART NO:

A4

05-FEB-2020

PROJECTION:



2000-1-2-30-00-BK

REV

DATE

FILE

BY

A

B

C

D