

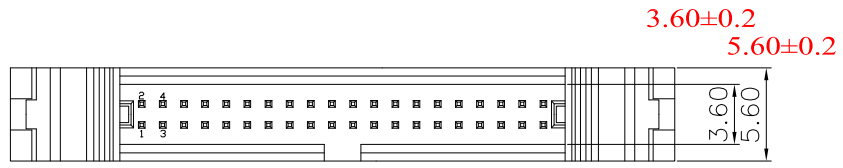
1

2

3

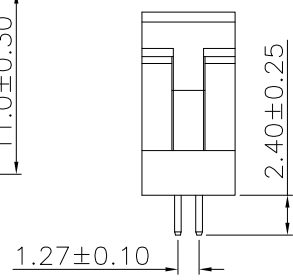
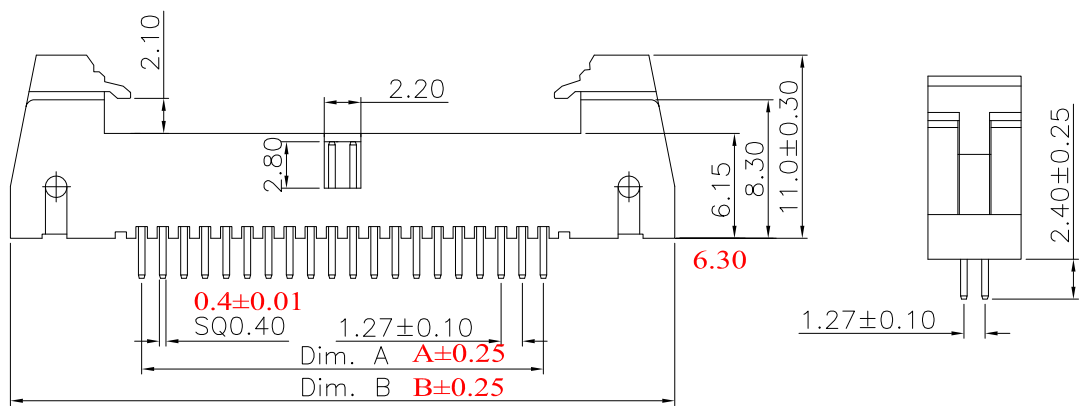
4

5



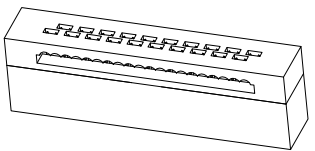
Specifications:
 Current rating:1.0A
 Voltage rating:50V AC,DC
 Contact resistance:20m ohm Max **20M**
 Insulation resistance:1,000M ohm Min
 Withstanding voltage:500V AC/minute
 Operating Temperature:-40°C ~ +105°C

Materials:
 Insulator:Nylon6T (UL94V-0) **PBT**
 Standard Color:Black
 Contact:Brass
 Plating:Gold Plated Over Nickel

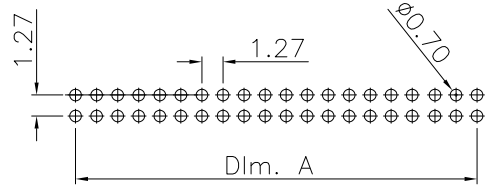
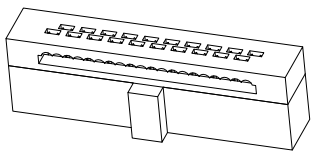


Circuits	Dim			
	A	prior 20/06	B	prior 20/06
10	5.08	5.08	20.70	20.85
16	8.89	8.89	24.51	24.66
20	11.43	11.43	27.05	27.20
26	15.24	15.24	30.86	31.01
30	17.78	17.78	33.40	33.55
34	20.32	20.32	35.94	36.09
40	24.13	24.13	39.75	39.90
44	26.67		42.29	
50	30.48	30.48	46.10	46.25
60	36.83	36.83	52.45	52.60
68	41.91		57.53	

MATING PART
3230-XX-0101-00



MATING PART
3230-XX-0102-00



P.C.B Layout

Note: Dimension in red represents old dimension

RoHS Compliant

				DRAWN:	GENERAL TOLERANCE: .X=±0.20 .XX=±0.15	<h1 style="color: red; text-align: center;">CnC Tech</h1> <p style="text-align: center;">Industrial Cable and Connector Technology</p>		
				CHECKED:	UNIT: MM SCALE:1:1			DESCRIPTION: 1.27mm Shrouded Header Straight Type
				APPROVAL:	SHEET: 1 / 1	PART NO:	A4	
REV	DATE	FILE	BY		PROJECTION:	3210-XX-001-12-00		

A

B

C

D