

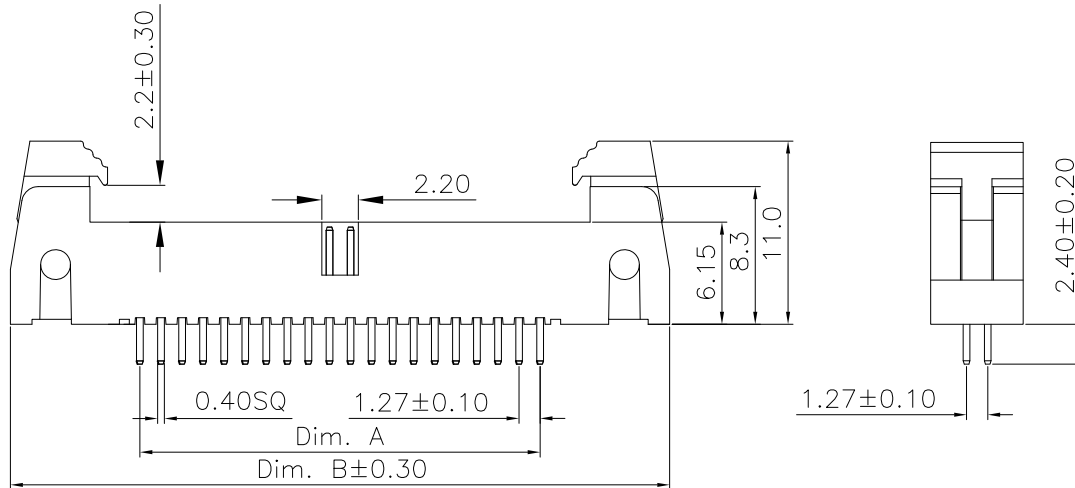
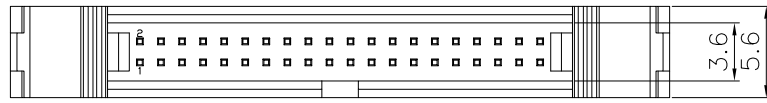
1

2

3

4

5



Specifications:

Current rating:1.0A

Voltage rating:50V AC,DC

Contact resistance:20m ohm Max

Insulation resistance:1,000M ohm Min

Withstanding voltage:500V AC/minute

Operating Temperature:-40°C ~ +105°C

Materials:

Insulator:Nylon 9T (UL94V-0)

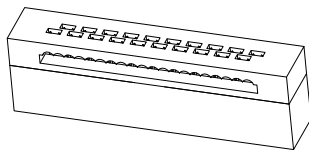
Standard Color:Black

Contact:Brass

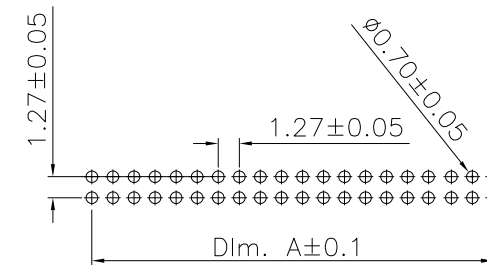
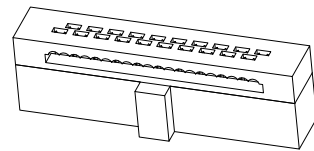
Plating:Gold Plated Over Nickel

Circuits	DIM		Circuits	DIM	
	A	B		A	B
6	2.54	18.16	34	20.32	35.94
8	3.81	19.43	40	24.13	39.75
10	5.08	20.70	44	26.67	42.29
16	8.89	24.51	50	30.48	46.10
20	11.43	27.05	60	36.83	52.45
26	15.24	30.86	68	41.91	57.53
30	17.78	33.40			

MATING PART
3230-XX-0101-00



MATING PART
3230-XX-0102-00



P.C.B Layout

RoHS Compliant

E				DRAWN: Jerry Chen	GENERAL TOLERANCE: .X=±0.20 .XX=±0.15	CnC Tech Industrial Cable and Connector Technology	DESCRIPTION: 1.27mm Shrouded Header Straight Type	SIZE A4
D				CHECKED:				
C				APPROVAL: Rory Chen	UNIT: MM	PART NO: 3210-XX-001-12-00		
B					SCALE:1:1			
A	01-FEB-2021				SHEET: 1 / 1			
REV	DATE	FILE	BY		PROJECTION:			