

CONDUCTOR: [CAT. 5e UTP 24AWG (0.2/7) BARE STRANDED COPPER]X4PR
 INSULATION: [PB OD: 0.95 ± 0.03]X4PR
 JACKET: PVC UL 56P CAT. 5e UTP OD: 5.5 ± 0.2

1. COLOR: [(WHITE/ORANGE, ORANGE) TWIST
 (WHITE/GREEN, GREEN) TWIST
 (WHITE/BLUE, BLUE) TWIST
 (WHITE/BROWN, BROWN) TWIST]X4PR

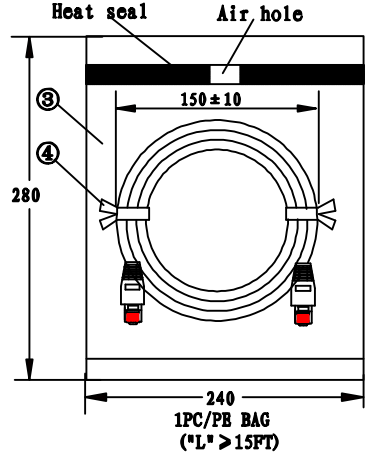
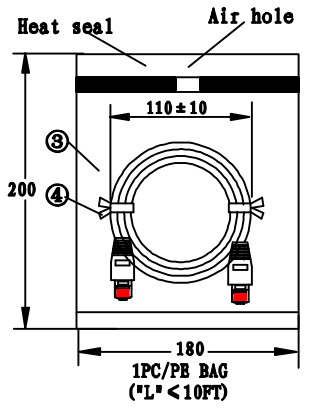
TERMINATION: 568B.

| P1 | P2 | COLOR |
|----|----|--------------|
| 1 | 1 | WHITE/ORANGE |
| 2 | 2 | ORANGE |
| 3 | 3 | WHITE/GREEN |
| 6 | 6 | GREEN |
| 5 | 5 | WHITE/BLUE |
| 4 | 4 | BLUE |
| 7 | 7 | WHITE/BROWN |
| 8 | 8 | BROWN |

2. BLACK INK MARKING: AWM 2835 24AWG 60°C 30V FT2 E237114 CSA 219561
 AWM 24AWG II A 60°C 30V FT2 ETL VERIFIED CAT. 5e UTP
 TIA/EIA-568B. 2 CM 4PR CABLETECH TECHNOLOGY (GM-1002)

"RoHS"

| NO | ITEM | DESCRIPTION | Q' TY |
|----|-----------|---|-------|
| ① | CABLE | | 1 PCS |
| ② | PLUG | 8P8C/R 50U" | 2 PCS |
| ③ | PE BAG | 200X180MM04 (180MM Open) (*L" < 10FT) 280X240MM04 (240MM Open) (*L" > 15FT) | 1 PCS |
| ④ | CABLE TIE | L=90MM(*L" < 5FT) 1PCS L=110MM(*L"=7FT) L=150MM(*L"=10FT/15FT/20FT) L=180MM(*L"=25FT/50FT) L=250MM(*L"=100FT) COLOR: WHITE | 2 PCS |
| ⑤ | BOOT | LT03-8CHT-1109-1 [PVC 80P COLOR: BL-118] | |
| ⑥ | | | |



| PART NO | DRAWING NO | CABLE LENGTH "L" | BUYER COLOR | VENDOR COLOR | CUT LENGTH |
|--------------------|------------|---------------------|-------------|--------------|---------------|
| 651-00UTP-BU-0001F | A | (1FT) 305 ± 15 | BLUE | BL-118 LIGHT | 310-320MM |
| 651-00UTP-BU-0003F | B | (3FT) 915 ± 20 | BLUE | BL-118 LIGHT | 930-940MM |
| 651-00UTP-BU-0005F | C | (5FT) 1525 ± 30 | BLUE | BL-118 LIGHT | 1540-1550MM |
| 651-00UTP-BU-0007F | D | (7FT) 2135 ± 30 | BLUE | BL-118 LIGHT | 2150-2160MM |
| 651-00UTP-BU-0010F | E | (10FT) 3050 ± 40 | BLUE | BL-118 LIGHT | 3070-3090MM |
| 651-00UTP-BU-0015F | F | (15FT) 4575 ± 40 | BLUE | BL-118 LIGHT | 4600-4620MM |
| 651-00UTP-BU-0020F | G | (20FT) 6100 ± 50 | BLUE | BL-118 LIGHT | 6130-6150MM |
| 651-00UTP-BU-0025F | H | (25FT) 7625 ± 60 | BLUE | BL-118 LIGHT | 7660-7680MM |
| 651-00UTP-BU-0050F | I | (50FT) 15250 ± 100 | BLUE | BL-118 LIGHT | 15300-15350MM |
| 651-00UTP-BU-0100F | J | (100FT) 30500 ± 200 | BLUE | BL-118 LIGHT | 30500-30600MM |

| REVISE | VERSION | BASIS | CONTENT |
|----------|---------|--------|-------------|
| 12-02-23 | A/0 | T0222B | NEW DRAWING |

CnC Tech, LLC
 Industrial Cable and Connector Technology

| | |
|---|----------------------|
| IDRAWING NO: 671-007-BU | CUSTOMER: L-671 |
| ITEM NO: CAT. 5e UTP 24AWG 4PR P+P+BOOT | UNIT: mm |
| DATE: 2012-02-23 | ISSUE: (A/0) |
| DRAWN: _____ | QA: _____ |
| SALES DEPT: _____ | SALES MANAGER: _____ |