

CONDUCTOR: [CAT. 5e UTP 24AWG (0.2/7) BARE STRANDED COPPER] X4PR  
 INSULATION: [PE OD: 0.95 ± 0.03] X4PR  
 JACKET: PVC UL 56P CAT. 5e UTP OD: 5.5 ± 0.2

1. COLOR: [ (WHITE/ORANGE, ORANGE) TWIST  
 (WHITE/GREEN, GREEN) TWIST  
 (WHITE/BLUE, BLUE) TWIST  
 (WHITE/BROWN, BROWN) TWIST ] X4PR

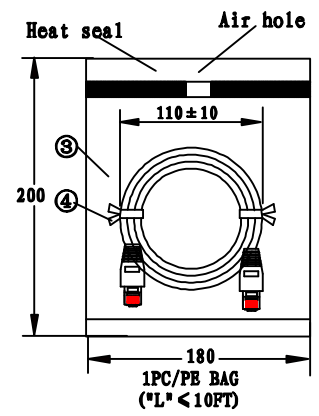
TERMINATION: 568B.

P1	P2	COLOR
1	1	WHITE/ORANGE
2	2	ORANGE
3	3	WHITE/GREEN
6	6	GREEN
5	5	WHITE/BLUE
4	4	BLUE
7	7	WHITE/BROWN
8	8	BROWN

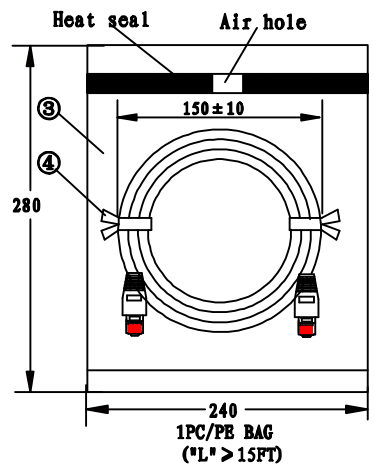
2. BLUE INK MARKING: AWM 2835 24AWG 60°C 30V FT2 E237114 CSA 219561  
 AWM 24AWG II A 60°C 30V FT2 BTL VERIFIED CAT. 5e UTP  
 TIA/EIA-568B.2 CM 4PR CABLETECH TECHNOLOGY (GM-1002)

"RoHS"

NO	ITEM	DESCRIPTION	Q' TY
①	CABLE		1 PCS
②	PLUG	8P8C/R 50U"	2 PCS
③	PE BAG	200X180MM04 (180MM Open) ("L" < 10FT) 280X240MM04 (240MM Open) ("L" > 15FT)	1 PCS
④	CABLE TIE	L=90MM ("L" < 5FT) 1PCS L=110MM ("L" = 7FT) L=150MM ("L" = 10FT/15FT/20FT) L=180MM ("L" = 25FT/50FT) L=250MM ("L" = 100FT) COLOR: WHITE	2 PCS
⑤	BOOT	LT03-8CHT-1109-1 [PVC 80P COLOR: GR-525]	
⑥			



PART NO	DRAWING NO	CABLE LENGTH "L"	BUYER COLOR	VENDOR COLOR	CUT LENGTH
651-00UTP-GR-0001F	A	(1FT) 305 ± 15	GRAY	GR-525 LIGHT	310-320MM
651-00UTP-GR-0003F	B	(3FT) 915 ± 20	GRAY	GR-525 LIGHT	930-940MM
651-00UTP-GR-0005F	C	(5FT) 1525 ± 30	GRAY	GR-525 LIGHT	1540-1550MM
651-00UTP-GR-0007F	D	(7FT) 2135 ± 30	GRAY	GR-525 LIGHT	2150-2160MM
651-00UTP-GR-0010F	E	(10FT) 3050 ± 40	GRAY	GR-525 LIGHT	3070-3090MM
651-00UTP-GR-0015F	F	(15FT) 4575 ± 40	GRAY	GR-525 LIGHT	4600-4620MM
651-00UTP-GR-0020F	G	(20FT) 6100 ± 50	GRAY	GR-525 LIGHT	6130-6150MM
651-00UTP-GR-0025F	H	(25FT) 7625 ± 60	GRAY	GR-525 LIGHT	7660-7680MM
651-00UTP-GR-0050F	I	(50FT) 15250 ± 100	GRAY	GR-525 LIGHT	15300-15350MM
651-00UTP-GR-0100F	J	(100FT) 30500 ± 200	GRAY	GR-525 LIGHT	30500-30600MM



REVISE	VERSION	BASIS	CONTENT
12-02-23	A/0	T0222B	NEW DRAWING

**CnC Tech, LLC**  
 Industrial Cable and Connector Technology

IDRAWING NO: 671-007-GR	CUSTOMER: L-671
ITEM NO: CAT. 5e UTP 24AWG 4PR P+P+BOOT	UNIT: mm
DATE: 2012-02-23	ISSUE: (A/0)
DRAWN: _____	QA: _____
SALES DEPT: _____	SALES MANAGER: _____