

CONDUCTOR: [CAT. 6 UTP 24AWG (0.2/7) BARE STRANDED COPPER] X4PR  
 INSULATION: [PE OD: 0.95 ± 0.03] X4PR  
 JACKET: PVC UL 56P CAT. 6 UTP OD: 5.7 ± 0.2

TERMINATION: 568B.

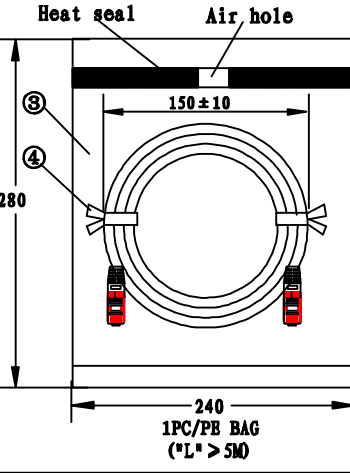
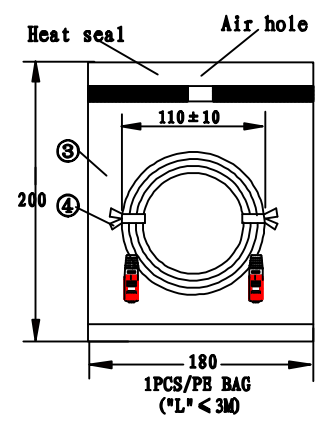
P1	P2	COLOR
1	1	WHITE/ORANGE
2	2	ORANGE
3	3	WHITE/GREEN
6	6	GREEN
5	5	WHITE/BLUE
4	4	BLUE
7	7	WHITE/BROWN
8	8	BROWN

1. COLOR: [(WHITE/ORANGE, ORANGE) TWIST  
 (WHITE/GREEN, GREEN) TWIST  
 (WHITE/BLUE, BLUE) TWIST  
 (WHITE/BROWN, BROWN) TWIST] X4PR

2. BLACK INK MARKING: AWM 2835 24AWG 60°C 30V FT2 B237114 CSA 219561  
 AWM 24AWG II A 60°C 30V FT2 ETL VERIFIED CAT. 6 UTP  
 TIA/EIA-568B.2 CM 4PR CABLETECH TECHNOLOGY (GM-1013)

"RoHS"

NO	ITEM	DESCRIPTION	Q' TY
①	CABLE		1 PCS
②	PLUG	8P8C/R 50U" Shield W/T Nickel plated	2 PCS
③	PE BAG	200X180MM04 (180MM Open) ("L" < 3M) 280X240MM04 (240MM Open) ("L" > 5M)	1 PCS
④	CABLE TIE	L=90MM ("L"=0.5M/1M) 1PCS L=110MM ("L"=2M) L=150MM ("L"=3M/5M) L=180MM ("L"=7M/10M) L=250MM ("L"=15M/20M) COLOR: WHITE	2 PCS
⑤	SR	2002-3107 [PVC 55P COLOR: BL-118]	
⑥			



PART NO	DRAWING NO	CABLE LENGTH "L"	BUYER COLOR	VENDOR COLOR	CUT LENGTH
660-00UTP-BU-00050	A	500 ± 20	BLUE	BL-118 LIGHT	510-520MM
660-00UTP-BU-00100	B	1000 ± 30	BLUE	BL-118 LIGHT	1020-1030MM
660-00UTP-BU-00200	C	2000 ± 40	BLUE	BL-118 LIGHT	2030-2040MM
660-00UTP-BU-00300	D	3000 ± 50	BLUE	BL-118 LIGHT	3030-3050MM
660-00UTP-BU-00500	E	5000 ± 60	BLUE	BL-118 LIGHT	5040-5060MM
660-00UTP-BU-01000	F	10000 ± 100	BLUE	BL-118 LIGHT	10050-10100MM
660-00UTP-BU-01500	G	15000 ± 150	BLUE	BL-118 LIGHT	15100-15150MM
660-00UTP-BU-02000	H	20000 ± 200	BLUE	BL-118 LIGHT	20100-20200MM
660-00UTP-BU-03000	I	30000 ± 300	BLUE	BL-118 LIGHT	30100-30300MM

REVISE	VERSION	BASIS	CONTENT
12-02-23	A/0	T0222B	NEW DRAWING

**CnC Tech, LLC**  
 Industrial Cable and Connector Technology

IDRAWING NO: 671-004-BU	CUSTOMER: L-671
ITEM NO: CAT. 6 UTP NO CROSS 24AWG 4PR P+P+SR	UNIT: mm
DATE: 2012-02-23	ISSUE: (A/0)
DRAWN: _____	QA: _____
SALES DEPT: _____	SALES MANAGER: _____