

CONDUCTOR: [CAT. 6 UTP 24AWG (0.2/7) BARE STRANDED COPPER] X4PR  
 INSULATION: [PE OD: 0.95 ± 0.03] X4PR  
 JACKET: PVC UL 56P CAT. 6 UTP OD: 5.7 ± 0.2

TERMINATION: 568B.

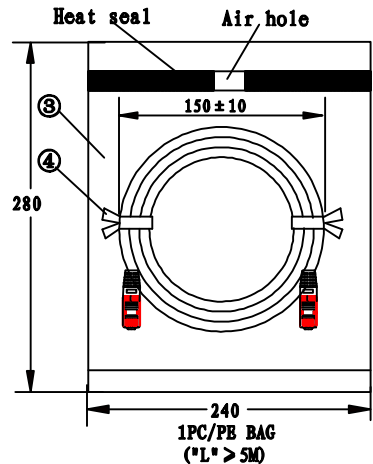
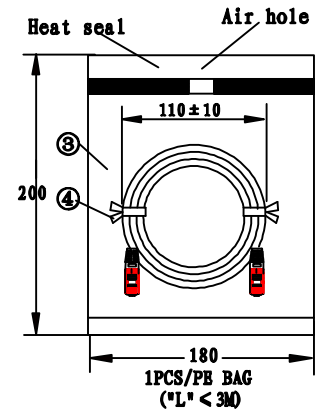
P1	P2	COLOR
1	1	WHITE/ORANGE
2	2	ORANGE
3	3	WHITE/GREEN
6	6	GREEN
5	5	WHITE/BLUE
4	4	BLUE
7	7	WHITE/BROWN
8	8	BROWN

1. COLOR: [(WHITE/ORANGE, ORANGE) TWIST  
 (WHITE/GREEN, GREEN) TWIST  
 (WHITE/BLUE, BLUE) TWIST  
 (WHITE/BROWN, BROWN) TWIST] X4PR

2. BLACK INK MARKING: AWM 2835 24AWG 60°C 30V FT2 E237114 CSA 219561  
 AWM 24AWG II A 60°C 30V FT2 ETL VERIFIED CAT. 6 UTP  
 TIA/EIA-568B.2 CM 4PR CABLETECH TECHNOLOGY (GM-1013)

"RoHS"

NO	ITEM	DESCRIPTION	Q' TY
①	CABLE		1 PCS
②	PLUG	8P8C/R 50U" Shield W/T Nickel plated	2 PCS
③	PE BAG	200X180MM04 (180MM Open) ("L" < 3M) 280X240MM04 (240MM Open) ("L" > 5M)	1 PCS
④	CABLE TIE	L=90MM ("L"-0.5M/1M) 1PCS L=110MM ("L"-2M) L=150MM ("L"-3M/5M) L=180MM ("L"-7M/10M) L=250MM ("L"-15M/20M) COLOR: WHITE	2 PCS
⑤	SR	2002-3107 [PVC 55P COLOR: PANTONE 114C]	
⑥			



PART NO	DRAWING NO	CABLE LENGTH "L"	BUYER COLOR	VENDOR COLOR	CUT LENGTH
660-00UTP-YL-00050	A	500 ± 20	YELLOW	PANTONE 114C LIGHT	510-520MM
660-00UTP-YL-00100	B	1000 ± 30	YELLOW	PANTONE 114C LIGHT	1020-1030MM
660-00UTP-YL-00200	C	2000 ± 40	YELLOW	PANTONE 114C LIGHT	2030-2040MM
660-00UTP-YL-00300	D	3000 ± 50	YELLOW	PANTONE 114C LIGHT	3030-3050MM
660-00UTP-YL-00500	E	5000 ± 60	YELLOW	PANTONE 114C LIGHT	5040-5060MM
660-00UTP-YL-01000	F	10000 ± 100	YELLOW	PANTONE 114C LIGHT	10050-10100MM
660-00UTP-YL-01500	G	15000 ± 150	YELLOW	PANTONE 114C LIGHT	15100-15150MM
660-00UTP-YL-02000	H	20000 ± 200	YELLOW	PANTONE 114C LIGHT	20100-20200MM
660-00UTP-YL-03000	I	30000 ± 300	YELLOW	PANTONE 114C LIGHT	30100-30300MM

REVISE	VERSION	BASIS	CONTENT
12-02-23	A/0	T0222B	NEW DRAWING

<b>CnC Tech, LLC</b> Industrial Cable and Connector Technology			
DRAWING NO: 671-004-YL		CUSTOMER: L-671	
ITEM NO: CAT. 6 UTP NO CROSS 24AWG 4PR P+P+SR		UNIT: mm	
DATE: 2012-02-23		ISSUE: (A/0)	
DRAWN:	QE:	QA:	
SALES DEPT:		SALES MANAGER:	