

CONDUCTOR: [CAT. 6 SFTP 24AWG (0.2/7) BARE STRANDED COPPER] X4PR  
 INSULATION: [PE OD: 0.95 ± 0.05] X4PR  
 MYLAR: 25U  
 AL: 25U  
 DRAIN: 24AWG (0.2/7) TINNED STRANDED COPPER  
 BRAID: (16/5/0.12) BARE COPPER  
 JACKET: PVC UL 56P CAT. 6 SFTP OD: 6.2 ± 0.2

SEC: A=A

1. COLOR: [(WHITE/ORANGE, ORANGE) TWIST  
 (WHITE/GREEN, GREEN) TWIST  
 (WHITE/BLUE, BLUE) TWIST  
 (WHITE/BROWN, BROWN) TWIST] X4PR

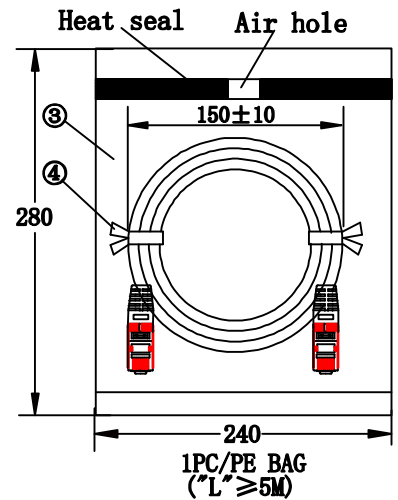
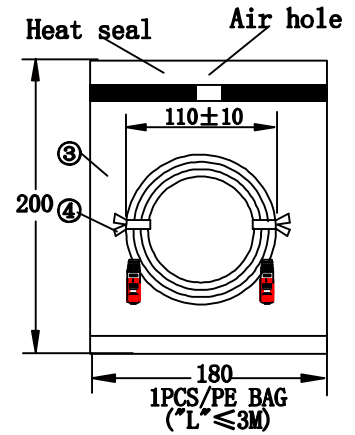
TERMINATION: 568B.

| P1 | P2 | COLOR             |
|----|----|-------------------|
| 1  | 1  | WHITE/ORANGE      |
| 2  | 2  | ORANGE            |
| 3  | 3  | WHITE/GREEN       |
| 6  | 6  | GREEN             |
| 5  | 5  | WHITE/BLUE        |
| 4  | 4  | BLUE              |
| 7  | 7  | WHITE/BROWN       |
| 8  | 8  | BROWN             |
|    |    | SHELL DRAIN SHELL |

2. BLACK INK MARKING: AWM 2835 24AWG 60°C 30V FT2 E237114 CSA 219561  
 AWM 24AWG II A 60°C 30V FT2 ETL VERIFIED CAT. 6 S-FTP  
 TIA/EIA-568B.2 CM 4PR CABLETECH TECHNOLOGY (GM-1065)

"RoHS"

| NO | ITEM      | DESCRIPTION   | Q' TY |
|----|-----------|---|-------|
| ①  | CABLE     |   | 1 PCS |
| ②  | PLUG      | 8P8C/R 50U" Shield W/T Nickel plated  | 2 PCS |
| ③  | PE BAG    | 200X180MM04 (180MM Open) ("L" ≤ 3M)<br>280X240MM04 (240MM Open) ("L" ≥ 5M)  | 1 PCS |
| ④  | CABLE TIE | L=90MM ("L" = 0.5M/1M) 1PCS L=110MM ("L" = 2M) L=150MM ("L" = 3M/5M)<br>L=180MM ("L" = 7M/10M) L=250MM ("L" = 15M/20M) COLOR: WHITE | 2 PCS |
| ⑤  | SR        | 2002-3107 [PVC 55P COLOR: G-D01]  |       |
| ⑥  |           |   |       |



| PART NO            | DRAWING NO | CABLE LENGTH "L" | BUYER COLOR | VENDOR COLOR | CUT LENGTH    |
|--------------------|------------|------------------|-------------|--------------|---------------|
| 660-OSFTP-GN-00050 | A          | 500 ± 20         | GREEN       | G-D01 LIGHT  | 510-520MM     |
| 660-OSFTP-GN-00100 | B          | 1000 ± 30        | GREEN       | G-D01 LIGHT  | 1020-1030MM   |
| 660-OSFTP-GN-00200 | C          | 2000 ± 40        | GREEN       | G-D01 LIGHT  | 2030-2040MM   |
| 660-OSFTP-GN-00300 | D          | 3000 ± 50        | GREEN       | G-D01 LIGHT  | 3030-3050MM   |
| 660-OSFTP-GN-00500 | E          | 5000 ± 60        | GREEN       | G-D01 LIGHT  | 5040-5060MM   |
| 660-OSFTP-GN-01000 | F          | 10000 ± 100      | GREEN       | G-D01 LIGHT  | 10050-10100MM |
| 660-OSFTP-GN-01500 | G          | 15000 ± 150      | GREEN       | G-D01 LIGHT  | 15100-15150MM |
| 660-OSFTP-GN-02000 | H          | 20000 ± 200      | GREEN       | G-D01 LIGHT  | 20100-20200MM |
| 660-OSFTP-GN-03000 | I          | 30000 ± 300      | GREEN       | G-D01 LIGHT  | 30100-30300MM |

| REVISE   | VERSION | BASIS  | CONTENTS    |
|----------|---------|--------|-------------|
| 12-02-23 | A/0     | T0222B | NEW DRAWING |
|          |         |        |             |
|          |         |        |             |

|   |                      |
|---|----------------------|
| <b>CnC Tech, LLC</b><br>Industrial Cable and Connector Technology |                      |
| IDRAWING NO: 671-006-GN   | CUSTOMER: L-671      |
| ITEM NO: CAT. 6 SFTP 24AWG 4PR P+P+SR                             | UNIT: mm             |
| DATE: 2012-02-23  | ISSUE: (A/0)         |
| DRAWN: _____  | QA: _____            |
| SALES DEPT: _____   | SALES MANAGER: _____ |