

CONDUCTOR: [CAT. 6 SFTP 24AWG (0.2/7) BARE STRANDED COPPER] X4PR
 INSULATION: [PE OD: 0.95 ± 0.05] X4PR
 MYLAR: 25U
 AL: 25U
 DRAIN: 24AWG (0.2/7) TINNED STRANDED COPPER
 BRAID: (16/5/0.12) BARE COPPER
 JACKET: PVC UL 56P CAT. 6 SFTP OD: 6.2 ± 0.2

SEC: A=A

1. COLOR: [(WHITE/ORANGE, ORANGE) TWIST
 (WHITE/GREEN, GREEN) TWIST
 (WHITE/BLUE, BLUE) TWIST
 (WHITE/BROWN, BROWN) TWIST] X4PR

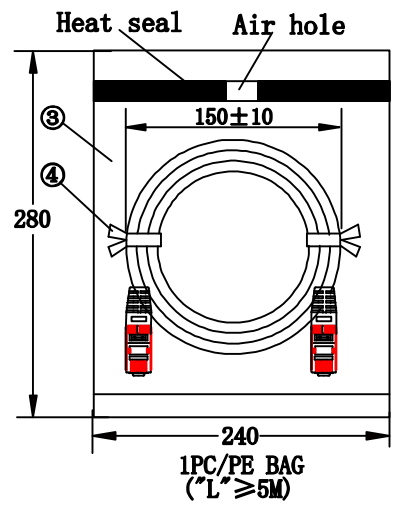
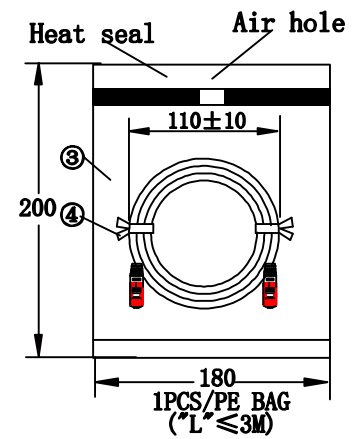
TERMINATION: 568B.

| P1 | P2 | COLOR |
|----|----|-------------------|
| 1 | 1 | WHITE/ORANGE |
| 2 | 2 | ORANGE |
| 3 | 3 | WHITE/GREEN |
| 6 | 6 | GREEN |
| 5 | 5 | WHITE/BLUE |
| 4 | 4 | BLUE |
| 7 | 7 | WHITE/BROWN |
| 8 | 8 | BROWN |
| | | SHELL DRAIN SHELL |

2. BLACK INK MARKING: AWM 2835 24AWG 60°C 30V FT2 E237114 CSA 219561
 AWM 24AWG II A 60°C 30V FT2 ETL VERIFIED CAT. 6 S-FTP
 TIA/EIA-568B.2 CM 4PR CABLETECH TECHNOLOGY (GM-1065)

"RoHS"

| NO | ITEM | DESCRIPTION | Q' TY |
|----|-----------|---|-------|
| ① | CABLE | | 1 PCS |
| ② | PLUG | 8P8C/R 50U" Shield W/T Nickel plated | 2 PCS |
| ③ | PE BAG | 200X180MM04 (180MM Open) ("L" ≤ 3M) 280X240MM04 (240MM Open) ("L" ≥ 5M) | 1 PCS |
| ④ | CABLE TIE | L=90MM ("L" = 0.5M/1M) 1PCS L=110MM ("L" = 2M) L=150MM ("L" = 3M/5M) L=180MM ("L" = 7M/10M) L=250MM ("L" = 15M/20M) COLOR: WHITE | 2 PCS |
| ⑤ | SR | 2002-3107 [PVC 55P COLOR: G-D01] | |
| ⑥ | | | |



| PART NO | DRAWING NO | CABLE LENGTH "L" | BUYER COLOR | VENDOR COLOR | CUT LENGTH |
|--------------------|------------|------------------|-------------|--------------|---------------|
| 660-OSFTP-GN-00050 | A | 500 ± 20 | GREEN | G-D01 LIGHT | 510-520MM |
| 660-OSFTP-GN-00100 | B | 1000 ± 30 | GREEN | G-D01 LIGHT | 1020-1030MM |
| 660-OSFTP-GN-00200 | C | 2000 ± 40 | GREEN | G-D01 LIGHT | 2030-2040MM |
| 660-OSFTP-GN-00300 | D | 3000 ± 50 | GREEN | G-D01 LIGHT | 3030-3050MM |
| 660-OSFTP-GN-00500 | E | 5000 ± 60 | GREEN | G-D01 LIGHT | 5040-5060MM |
| 660-OSFTP-GN-01000 | F | 10000 ± 100 | GREEN | G-D01 LIGHT | 10050-10100MM |
| 660-OSFTP-GN-01500 | G | 15000 ± 150 | GREEN | G-D01 LIGHT | 15100-15150MM |
| 660-OSFTP-GN-02000 | H | 20000 ± 200 | GREEN | G-D01 LIGHT | 20100-20200MM |
| 660-OSFTP-GN-03000 | I | 30000 ± 300 | GREEN | G-D01 LIGHT | 30100-30300MM |

| REVISE | VERSION | BASIS | CONTENTS |
|----------|---------|--------|-------------|
| 12-02-23 | A/0 | T0222B | NEW DRAWING |
| | | | |
| | | | |

CnC Tech, LLC
 Industrial Cable and Connector Technology

| | |
|---------------------------------------|----------------------|
| IDRAWING NO: 671-006-GN | CUSTOMER: L-671 |
| ITEM NO: CAT. 6 SFTP 24AWG 4PR P+P+SR | UNIT: mm |
| DATE: 2012-02-23 | ISSUE: (A/0) |
| DRAWN: _____ | QA: _____ |
| SALES DEPT: _____ | SALES MANAGER: _____ |