

CONDUCTOR: [CAT. 6 UTP 24AWG (0.2/7) BARE STRANDED COPPER] X4PR  
 INSULATION: [PE OD: 0.95 ± 0.03] X4PR  
 JACKET: PVC UL 56P CAT. 6 UTP OD: 5.7 ± 0.2

TERMINATION: 568B.

| P1 | P2 | COLOR        |
|----|----|--------------|
| 1  | 1  | WHITE/ORANGE |
| 2  | 2  | ORANGE       |
| 3  | 3  | WHITE/GREEN  |
| 6  | 6  | GREEN        |
| 5  | 5  | WHITE/BLUE   |
| 4  | 4  | BLUE         |
| 7  | 7  | WHITE/BROWN  |
| 8  | 8  | BROWN        |

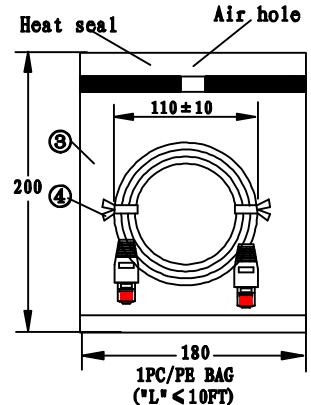
1. COLOR: [(WHITE/ORANGE, ORANGE) TWIST  
 (WHITE/GREEN, GREEN) TWIST  
 (WHITE/BLUE, BLUE) TWIST  
 (WHITE/BROWN, BROWN) TWIST] X4PR

SEC: A=A

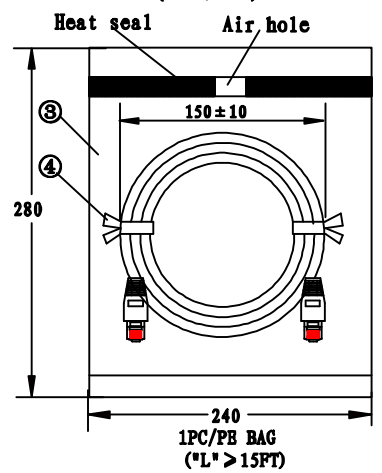
2. BLUE INK MARKING: AWM 2835 24AWG 60°C 30V FT2 E237114 CSA 219561  
 AWM 24AWG II A 60°C 30V FT2 ETL VERIFIED CAT. 6 UTP  
 TIA/EIA-568B.2 CM 4PR CABLETECH TECHNOLOGY (GM-1013)

"RoHS"

| NO | ITEM      | DESCRIPTION  | Q' TY |
|----|-----------|--|-------|
| ①  | CABLE     |  | 1 PCS |
| ②  | PLUG      | 8P8C/R 50U"  | 2 PCS |
| ③  | PE BAG    | 200X180MM04 (180MM Open) ("L" < 10FT)<br>280X240MM04 (240MM Open) ("L" > 15FT)   | 1 PCS |
| ④  | CABLE TIE | L=90MM ("L" < 5FT) 1PCS L=110MM ("L"=7FT) L=150MM ("L"=10FT/15FT/20FT)<br>L=180MM ("L"=25FT/50FT) L=250MM ("L"=100FT) COLOR: WHITE | 2 PCS |
| ⑤  | BOOT      | LT03-8CHT-1109-1 [PVC 80P COLOR: GR-525]   |       |
| ⑥  |           |  |       |



| PART NO            | DRAWING NO | CABLE LENGTH "L"    | BUYER COLOR | VENDOR COLOR | CUT LENGTH    |
|--------------------|------------|---------------------|-------------|--------------|---------------|
| 661-00UTP-GR-0001F | A          | (1FT) 305 ± 15      | GRAY        | GR-525 LIGHT | 310-320MM     |
| 661-00UTP-GR-0003F | B          | (3FT) 915 ± 20      | GRAY        | GR-525 LIGHT | 930-940MM     |
| 661-00UTP-GR-0005F | C          | (5FT) 1525 ± 30     | GRAY        | GR-525 LIGHT | 1540-1550MM   |
| 661-00UTP-GR-0007F | D          | (7FT) 2135 ± 30     | GRAY        | GR-525 LIGHT | 2150-2160MM   |
| 661-00UTP-GR-0010F | E          | (10FT) 3050 ± 40    | GRAY        | GR-525 LIGHT | 3070-3090MM   |
| 661-00UTP-GR-0015F | F          | (15FT) 4575 ± 40    | GRAY        | GR-525 LIGHT | 4600-4620MM   |
| 661-00UTP-GR-0020F | G          | (20FT) 6100 ± 50    | GRAY        | GR-525 LIGHT | 6130-6150MM   |
| 661-00UTP-GR-0025F | H          | (25FT) 7625 ± 60    | GRAY        | GR-525 LIGHT | 7660-7680MM   |
| 661-00UTP-GR-0050F | I          | (50FT) 15250 ± 100  | GRAY        | GR-525 LIGHT | 15300-15350MM |
| 661-00UTP-GR-0100F | J          | (100FT) 30500 ± 200 | GRAY        | GR-525 LIGHT | 30500-30600MM |



| REVISE   | VERSION | BASIS  | CONTENT     |
|----------|---------|--------|-------------|
| 12-02-23 | A/0     | T0222B | NEW DRAWING |
|          |         |        |             |
|          |         |        |             |

**CnC Tech, LLC**  
 Industrial Cable and Connector Technology

|   |     |                 |  |
|---|-----|-----------------|--|
| DRAWING NO: 671-008-GR                          |     | CUSTOMER: L-671 |  |
| ITEM NO: CAT. 6 UTP NO CROSS 24AWG 4PR P+P+BOOT |     | UNIT: mm        |  |
| DATE: 2012-02-23                                |     | ISSUE: (A/0)    |  |
| DRAWN:  | QB: | QA:             |  |
| SALES DEPT:                                     |     | SALES MANAGER:  |  |