

SEC: A=A

CONDUCTOR: [CAT. 6 UTP 24AWG (0.2/7) BARE STRANDED COPPER] X4PR
 INSULATION: [PE OD: 0.95 ± 0.03] X4PR
 JACKET: PVC UL 56P CAT. 6 UTP OD: 5.7 ± 0.2

1. COLOR: [(WHITE/ORANGE, ORANGE) TWIST
 (WHITE/GREEN, GREEN) TWIST
 (WHITE/BLUE, BLUE) TWIST
 (WHITE/BROWN, BROWN) TWIST] X4PR

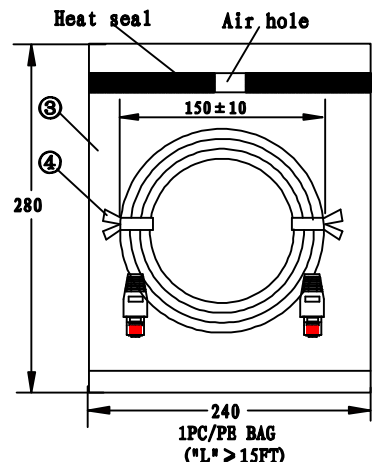
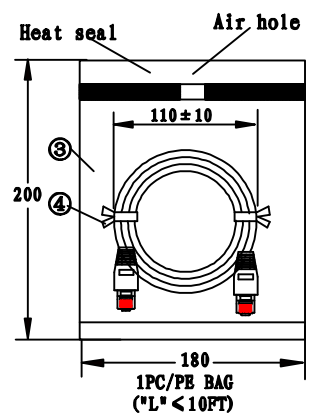
TERMINATION: 568B.

P1	P2	COLOR
1	1	WHITE/ORANGE
2	2	ORANGE
3	3	WHITE/GREEN
6	6	GREEN
5	5	WHITE/BLUE
4	4	BLUE
7	7	WHITE/BROWN
8	8	BROWN

2. BLACK INK MARKING: AWM 2835 24AWG 60°C 30V FT2 E237114 CSA 219561
 AWM 24AWG II A 60°C 30V FT2 ETL VERIFIED CAT. 6 UTP
 TIA/EIA-568B. 2 CM 4PR CABLETECH TECHNOLOGY (GM-1013)

"RoHS"

NO	ITEM	DESCRIPTION	Q' TY
①	CABLE		1 PCS
②	PLUG	8P8C/R 50U"	2 PCS
③	PE BAG	200X180MM04 (180MM Open) ("L" < 10FT) 280X240MM04 (240MM Open) ("L" > 15FT)	1 PCS
④	CABLE TIE	L=90MM ("L" < 5FT) 1PCS L=110MM ("L"=7FT) L=150MM ("L"=10FT/15FT/20FT) L=180MM ("L"=25FT/50FT) L=250MM ("L"=100FT) COLOR: WHITE	2 PCS
⑤	BOOT	LT03-8CHT-1109-1 [PVC 80P COLOR: W-166]	
⑥			



PART NO	DRAWING NO	CABLE LENGTH "L"	BUYER COLOR	VENDOR COLOR	CUT LENGTH
661-00UTP-WH-0001F	A	(1FT) 305 ± 15	WHITE	W-166 LIGHT	310-320MM
661-00UTP-WH-0003F	B	(3FT) 915 ± 20	WHITE	W-166 LIGHT	930-940MM
661-00UTP-WH-0005F	C	(5FT) 1525 ± 30	WHITE	W-166 LIGHT	1540-1550MM
661-00UTP-WH-0007F	D	(7FT) 2135 ± 30	WHITE	W-166 LIGHT	2150-2160MM
661-00UTP-WH-0010F	E	(10FT) 3050 ± 40	WHITE	W-166 LIGHT	3070-3090MM
661-00UTP-WH-0015F	F	(15FT) 4575 ± 40	WHITE	W-166 LIGHT	4600-4620MM
661-00UTP-BU-0020F	G	(20FT) 6100 ± 50	WHITE	W-166 LIGHT	6130-6150MM
661-00UTP-WH-0025F	H	(25FT) 7625 ± 60	WHITE	W-166 LIGHT	7660-7680MM
661-00UTP-WH-0050F	I	(50FT) 15250 ± 100	WHITE	W-166 LIGHT	15300-15350MM
661-00UTP-WH-0100F	J	(100FT) 30500 ± 200	WHITE	W-166 LIGHT	30500-30600MM

REVISE	VERSION	BASIS	CONTENT
12-02-23	A/0	T0222B	NEW DRAWING

CnC Tech, LLC
 Industrial Cable and Connector Technology

IDRAWING NO: 671-008-WH	CUSTOMER: L-671
ITEM NO: CAT. 6 UTP NO CROSS 24AWG 4PR P+P+BOOT	UNIT: mm
DATE: 2012-02-23	ISSUE: (A/0)
DRAWN: _____	QB: _____
SALES DEPT: _____	SALES MANAGER: _____