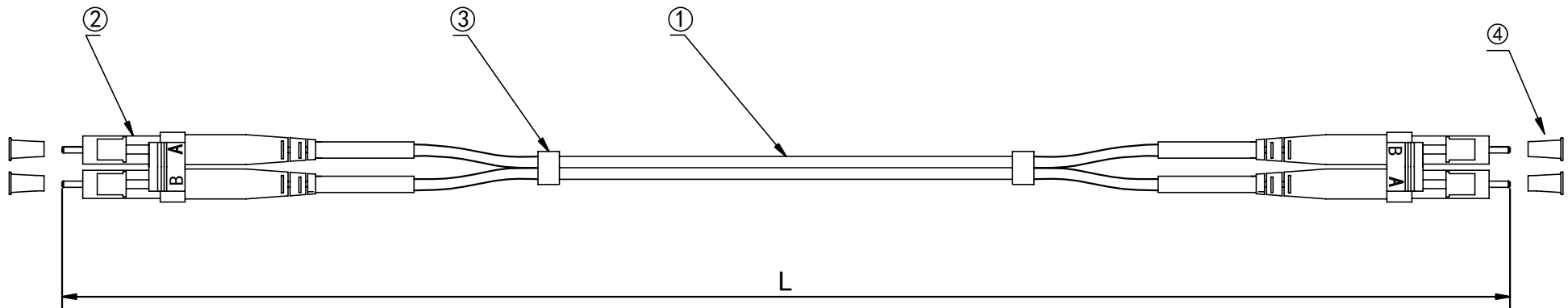


RoHS  
Compliant

VERSION	DESCRIPTION	DATE
1.0	New DRAWING	2018/3/29



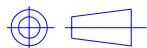

PART NO	DRAWING NO	CABLE LENGTH "L"	COLOR
911M-2-1-00100	671-442-A	1000 ± 100	Orange
911M-2-1-00200	671-442-B	2000 ± 100	Orange
911M-2-1-00300	671-442-C	3000 ± 100	Orange
911M-2-1-00500	671-442-D	5000 ± 100	Orange
911M-2-1-00700	671-442-E	7000 ± 100	Orange
911M-2-1-01000	671-442-F	10000 ± 100	Orange
911M-2-1-01500	671-442-G	15000 ± 100	Orange
911M-2-1-02000	671-442-H	20000 ± 100	Orange
911M-2-1-02500	671-442-I	25000 ± 100	Orange

**NOTES:**

Insertion loss < 0.3 dB

### CnC Tech, LLC

Industrial Cable and Connector Technology

		<b>TITLE</b> Patch Cord, LC-LC, MM-62.5/125 OM1, Duplex, PVC, Orange, 2.0mm, xxm	
<b>UNIT</b> mm		<b>P/N</b> above	<b>DRAWN BY</b>
<small>unless otherwise stated Tolerances mm ±0.3 ±2° mm angular XX.XX ±0.2 X.XX ±0.1</small>		<b>Customer P/N</b> 911M-2-1-0XXXX	<b>CHECK BY</b>
<b>SIZE</b> A4	<b>SCALE</b> Free	<b>PAGE</b> 1/1	<b>APPROVAL BY</b>

6	
5	
4	Dust Cover
3	Shrinkage Tube
2	LC MM Duplex Connector (Beige housing White boot)
1	2.0mm, Duplex, MM-62.5/125 OM1, PVC, Optical Fiber Cable (Orange)
No.	Description