

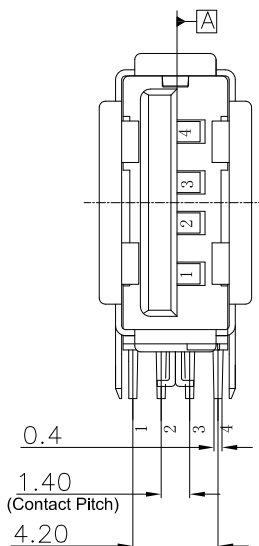
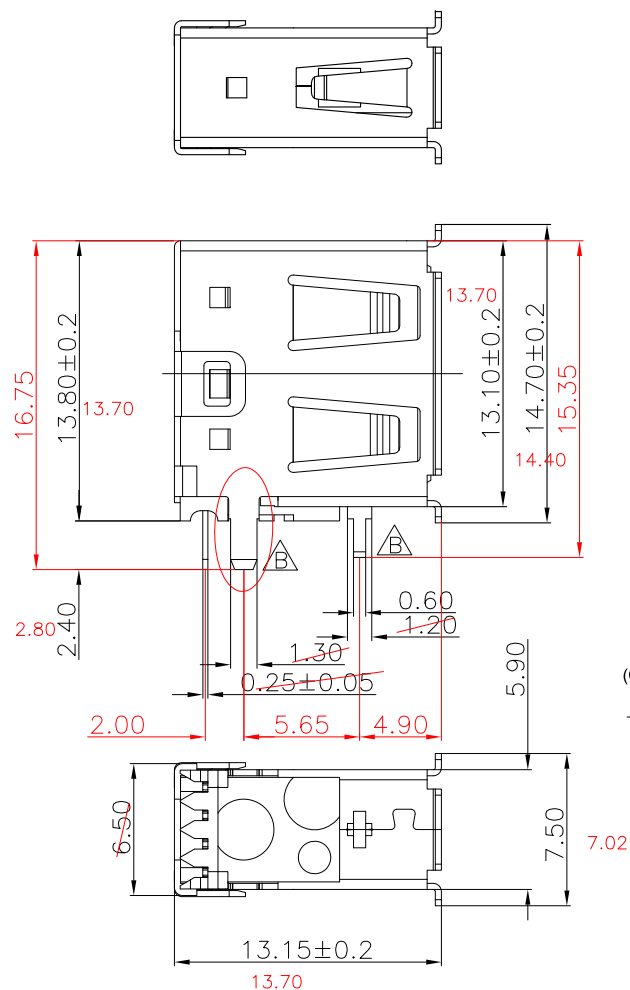
1

2

3

4

5



Pin No.	Signal Name
1	VBUS
2	D-
3	D+
4	GND
Shell	Shield

Specifications:

Current Rating:1.5A(DC) 1.0A

Voltage Rating:30V(DC)

Contact Resistance:30m ohm Max.

Insulation Resistance:1,000M ohm min.at 500V(DC)

Withstanding Voltage:500V AC For One Minute

Operating Temperature Range:-40°C ~ +105°C

Material and Finish

Insulator:PBT (UL94V-0) PBT+30%GF

Insulator:Color: White Black

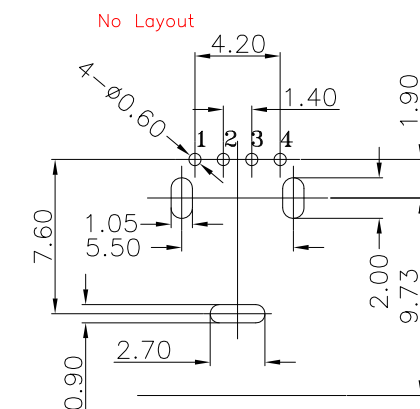
Contact:Brass Phosphor Bronze C5191-H T=0.2mm

Plating:30u"Gold Plated on Contact Area,

Tin Plated on Solder Tail. Not mentioned

Shell:Brass, Nickel Plated

Brass C2680-H T=0.3mm



Recommended P.C.B. Layout Top View
General Tolerance:±0.05mm Thickness:1.6mm

Note: Dimension in red represents old dimension

RoHS Compliant

DRAWN:

GENERAL TOLERANCE:

.X=±0.20±0.30

.XX=±0.15±0.25

CHECKED:

UNIT: MM

DESCRIPTION:

USB A Female Up-Right Dip, 30u"

SIZE

APPROVAL:

SCALE:1:1

PART NO:

1002-013-01001

A4

05-FEB-2020

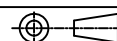
REV

DATE

FILE

BY

PROJECTION:



CnC Tech

Industrial Cable and Connector Technology