

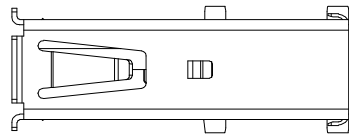
1

2

3

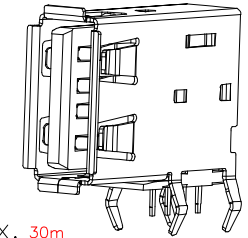
4

5



Specifications:

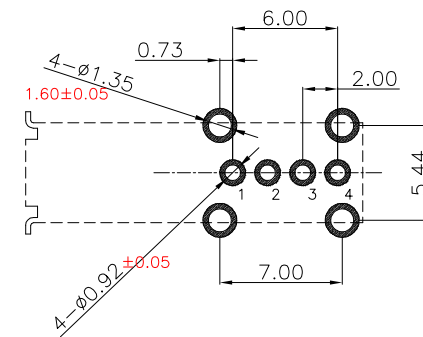
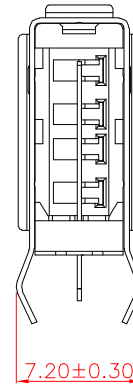
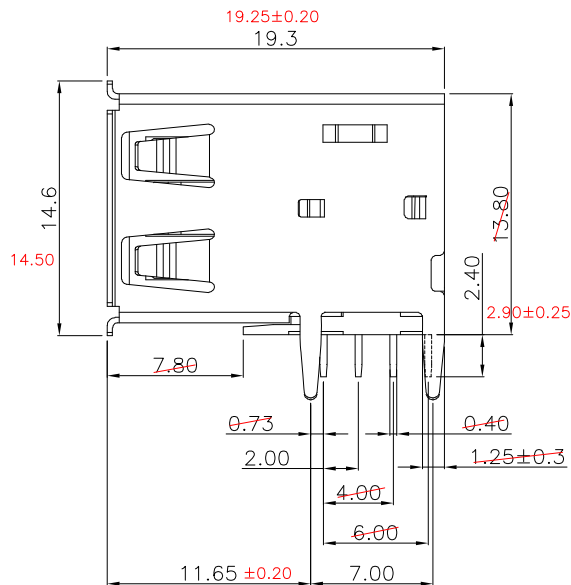
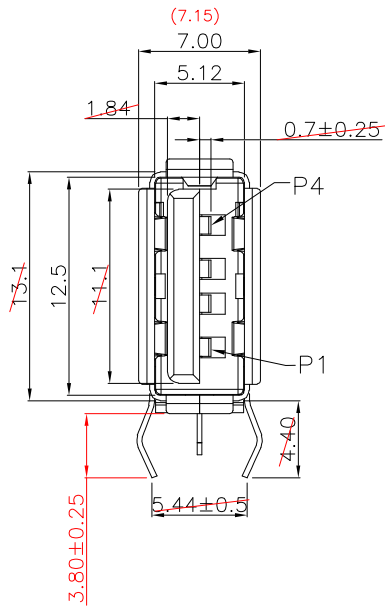
Current Rating:1.5A AC/DC
 Voltage Rating:30V AC/DC
 Contact Resistance:20m ohm. Max. 30m
 Insulation Resistance:1,000M ohm. min.
 Withstanding Voltage:750V AC For One Minute^{500V}
 Operating Temperature Range:-40°C ~ +105°C



-55°C~85°C

Material And Finish

Insulator:PBT (UL94V-0) ^{PBT+30%GF}
 Bottom Cover:Nylon 9T(UL94V-0) ^{PBT+30%GF}
 Color:White ^{not mentioned}
 Contact:Brass ^{phosphor bronze}
 Plating:30u" Gold Plated on Contact Area,
 Tin Plated on Solder Tail. ^{gold flash and over nickel plated}
 Shell:Brass With Nickel Plated <sup>Front Shell:Brass
Back Shell:SPCC</sup>



Note: Dimension in red represents old dimension

RoHS Compliant

				DRAWN:	GENERAL TOLERANCE: .X=±0.20 ±0.38 .XX=±0.10 ±0.25	<h1 style="color: red;">CnC Tech</h1> <p>Industrial Cable and Connector Technology</p>	
				CHECKED:	UNIT: MM SCALE:1:1		DESCRIPTION: USB A PCB Socket Straight, 30u"
				APPROVAL:	SHEET: 1 / 2	PART NO:	A4
REV	DATE	FILE	BY		PROJECTION:	1002-014-01000	