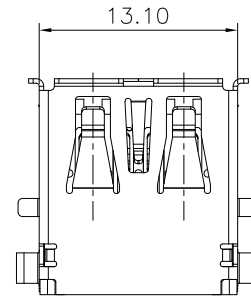
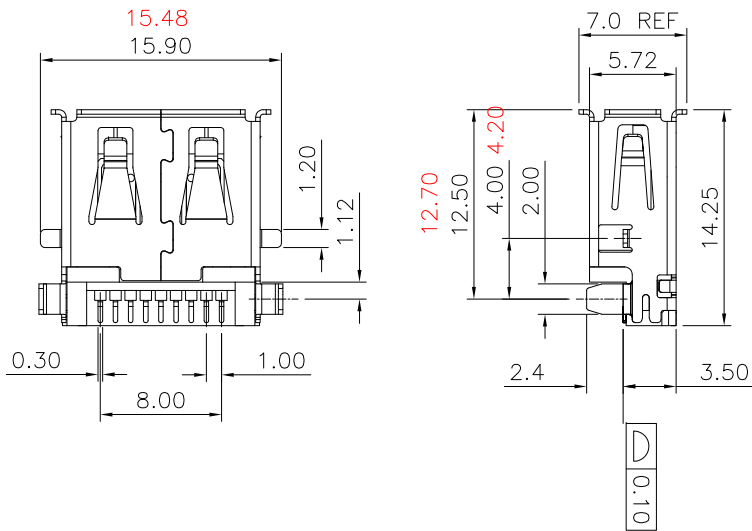
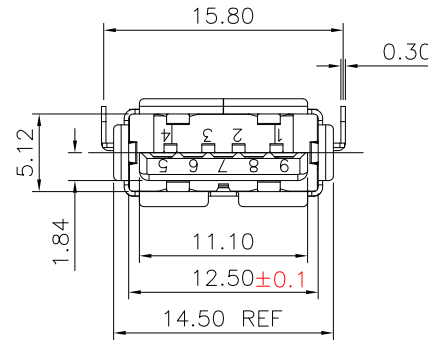


Pin Number	Signal Name	Pin Number	Signal Name
1	VBUS	6	StdA_SSTX+
2	D-	7	GND-DRAIN
3	D+	8	StdA_SSRX-
4	GND	9	StdA_SSRX+
5	StdA_SSTX-	Shell	Shield



Specifications:

Current Rating:1.5A AC/DC(VBUS&GND)
0.25A AC/DC(Others)

Low Level Contact Resistance:30m ohm. Max.
30m ohm Max. initial(VBUS and GND)
50m ohm Max. initial(Others)
Insulation Resistance:1000M ohm. Min.
Withstanding Voltage:AC 500V r.m.s
Operating Temperature Range:-40°C ~ +105°C
Materials:

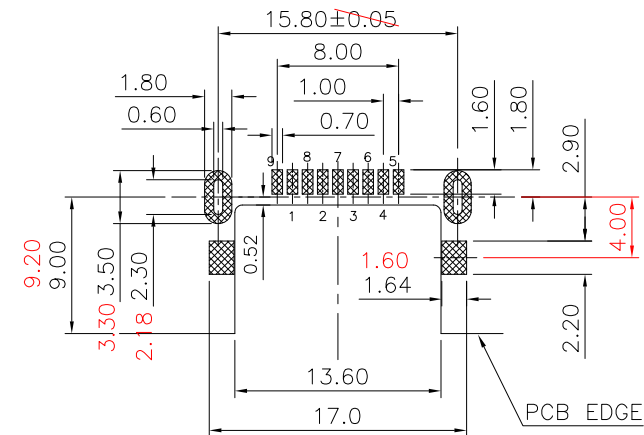
Insulator:LCP(UL94V-0)

Insulator Color:Blue

Contact:Phosphor Bronze

Plating:15u" Gold Plated on Contact Area,
Tin Plated on Solder Tail.

Shell:Brass, Nickel Plated



PCB Layout

RoHS Compliant

Note: Dimension in red represents old dimension

				DRAWN:	GENERAL TOLERANCE: .X=±0.25 .XX=±0.15	CnC Tech Industrial Cable and Connector Technology	DESCRIPTION: USB 3.0 SMD R/A Type Receptacle, 15u"	SIZE A4
				CHECKED:	UNIT: MM SCALE:1:1			
				APPROVAL:	SHEET: 1 / 1	PART NO:	1003-002-01100	
REV	DATE	FILE	BY		PROJECTION:			