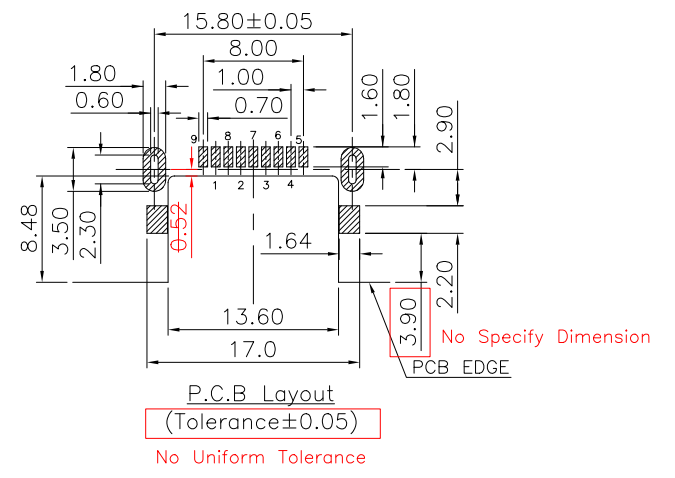
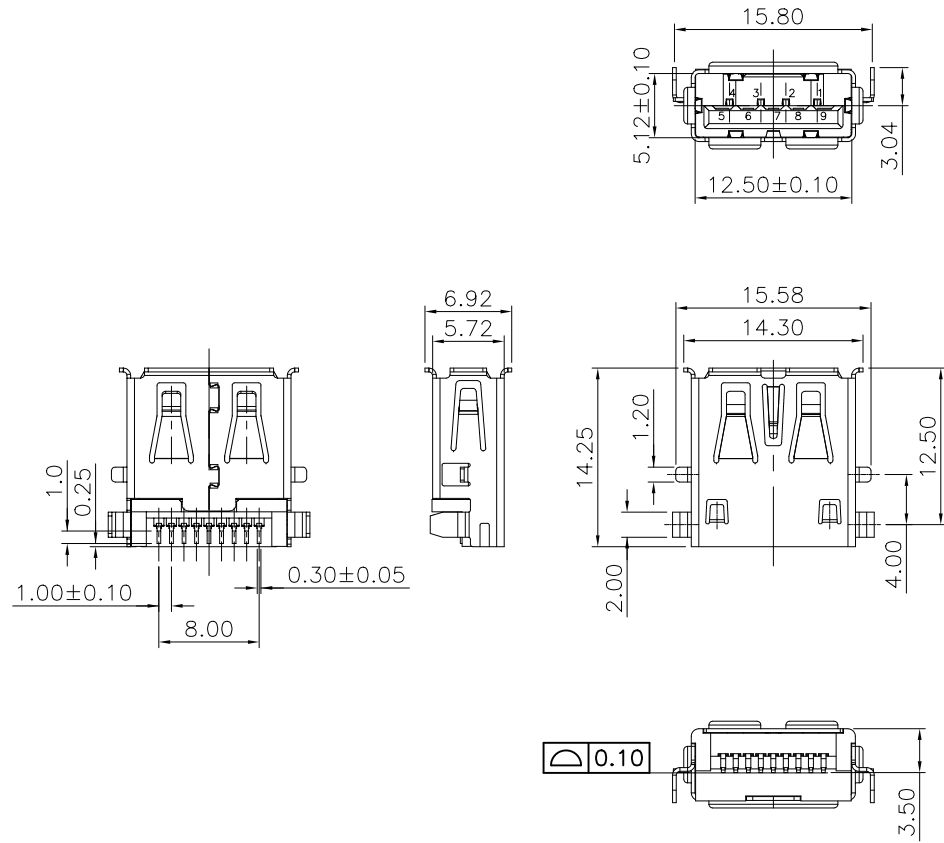


Low Level Contact Resistance: 30m ohm. Max.
 30m ohm Max. initial (VBUS and GND)
 50m ohm Max. initial (Others)

1.5A AC/DC (VBUS & GND)
 0.25A AC/DC (Others)

Specifications:
 Current Rating: 1.5A AC/DC
 Contact Resistance: 30m ohm. Max.
 Insulation Resistance: 1000M ohm. Min.
 Withstanding Voltage: AC 500V R.M.S.
 Operating Temperature Range: -40°C to +85°C
 -40°C to +105°C

Materials:
 Insulator: LCP (UL94V-0)
 Insulator Color: Blue
 Contact: Phosphor Bronze
 Plating: Gold Plated 15u" on Contact Area,
 Tin Matte Tin Plated on Solder Tail.
 Shell: Brass, Nickel Plated



RoHS Compliant

				DRAWN: JAMIE	GENERAL TOLERANCE: .X=±0.30 .XX=±0.25	<h1 style="color: red; text-align: center;">CnC Tech</h1> <p style="text-align: center;">Industrial Cable and Connector Technology</p>	
				CHECKED: JERRY	UNIT: MM		
C	27-NOV-2024			APPROVAL: RORY	SCALE: 1:1	PART NO: 1003-002-01100-TR	SIZE A4
B	18-JUN-2020				SHEET: 1 / 2		
REV	DATE	FILE	BY	PROJECTION:			

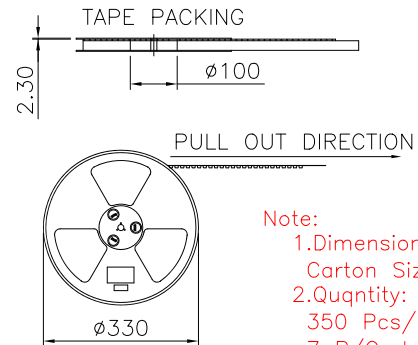
1

2

3

4

5



Note:
 1.All dimensions meet EIA-481-3 requirements.
 2.Material: Transparent Conductive Polystyrene Alloy 100% recyclable.
 3.Thickness: 0.40±0.05mm
 4.Component load per 13" reel: 400Pcs.
 5.Carton Size: 350*350*296(mm)

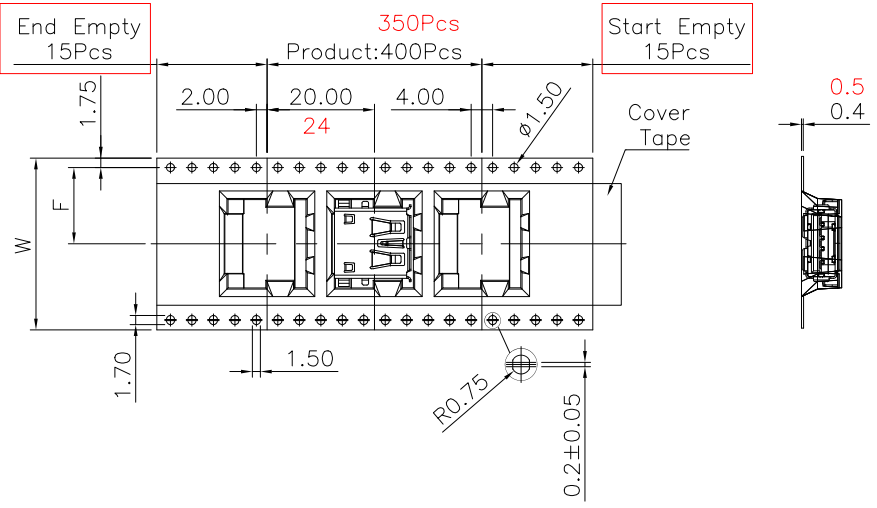
Different Shape of Carrier Tape

No Empty Pcs Info.

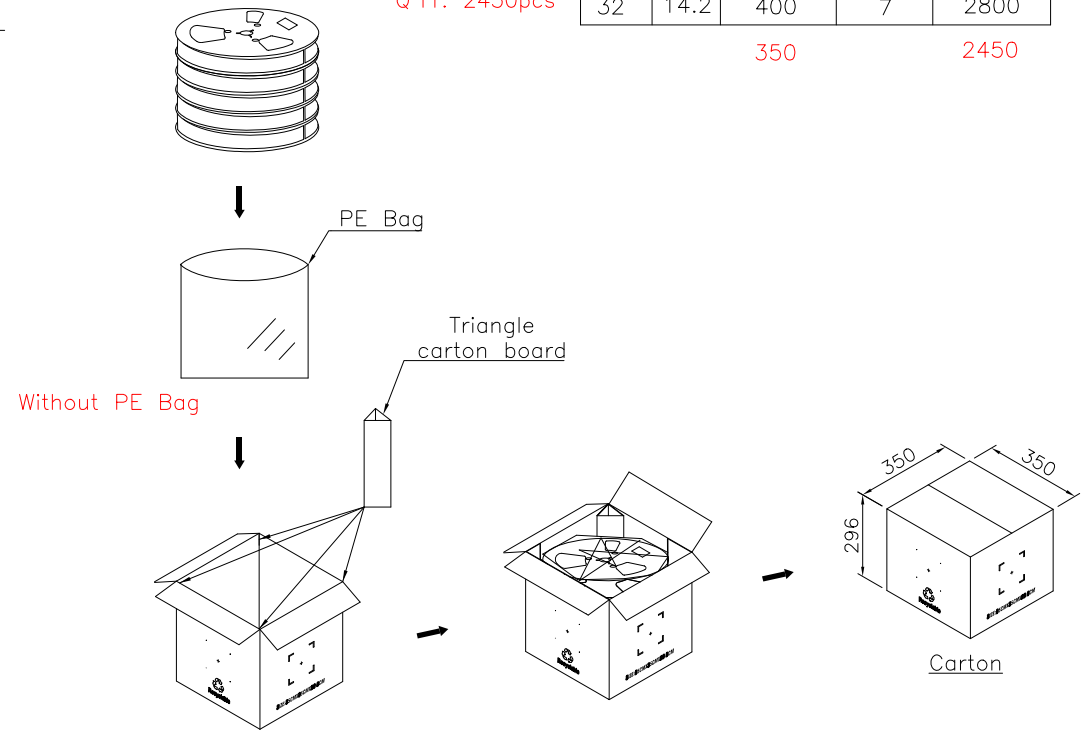
No Empty Pcs Info.

Note:

1.Dimension:
 Carton Size:350X350X296 (mm)
 2.Quantity:
 350 Pcs/R
 7 R/Carton
 Q'TY: 2450pcs



W	F	PCS/R	R/CTN	Q'TY
32	14.2	400	7	2800
			350	2450



For Reel Width (Dimension W) 32mm, Double Rows Hole

RoHS Compliant

				DRAWN: JAMIE	GENERAL TOLERANCE: .X=±0.30 .XX=±0.25	<h1 style="color: red; margin: 0;">CnC Tech</h1> <p style="margin: 0;">Industrial Cable and Connector Technology</p>	DESCRIPTION: USB 3.0 SMD R/A Type Receptacle, 15u"	SIZE A4
				CHECKED: JERRY				
C	27-NOV-2024			APPROVAL: RORY	UNIT: MM	PART NO: 1003-002-01100-TR		
B	18-JUN-2020				SCALE: 1:1			
A	20-MAR-2018				SHEET: 2 / 2			
REV	DATE	FILE	BY		PROJECTION:			

A
B
C
D