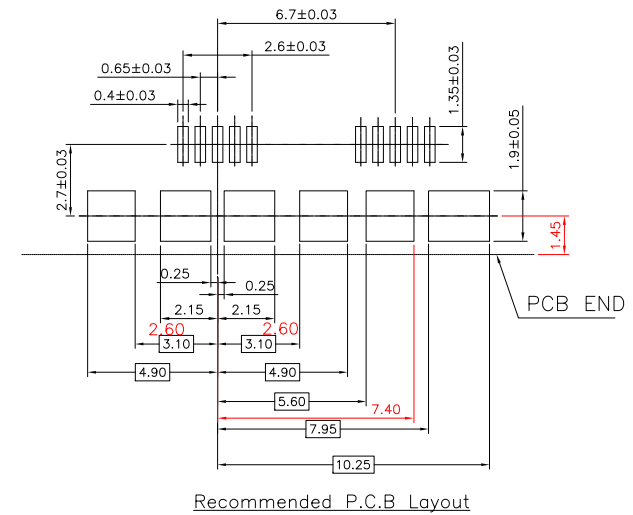


Pin Number	Signal Name	Pin Number	Signal Name
1	VBUS	6	MicB_SSTX-
2	D-	7	MicB_SSTX+
3	D+	8	GND-DRAIN
4	ID	9	MicB_SSRX-
5	GND	10	MicB_SSRX+
		Shell	Shield

Specifications:
 Current rating:1.5 Amps
 Contact resistance:30mohm max.
 Insulation resistance:100Mohm min.
 Withstanding Voltage:100V R.M.S
 Operating Temperature:-40°C ~ +105°C

Material and Finish
 Insulator:LCP(UL94V-0)
 Insulator Color:Black
 Contact:Phosphor Bronze
 Plated:15u" Gold Plated on Contact Area,
 Tin Plated on Solder Tail
 Shell:Brass, Nickel Plated



Note: Dimension in red represents old dimension

RoHS Compliant

				DRAWN:	GENERAL TOLERANCE: .X=±0.20 ±0.25 .XX=±0.10 ±0.20 ±0.10	<h1 style="text-align: center;">CnC Tech</h1> <p style="text-align: center;">Industrial Cable and Connector Technology</p>		
				CHECKED:	UNIT: MM SCALE:1:1			DESCRIPTION: MICRO USB 3.0 B TYPE SMD,15u"
	05-FEB-2020			APPROVAL:	SHEET: 1 / 2	PART NO:	1003-005-22100-TR	
REV	DATE	FILE	BY		PROJECTION:			