

1

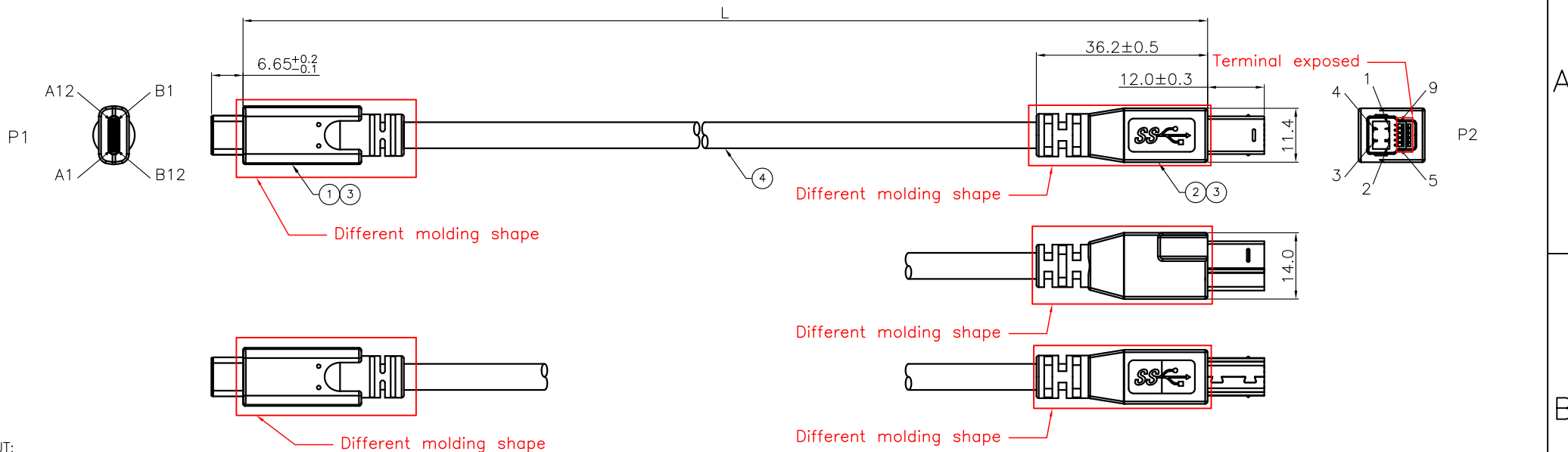
2

3

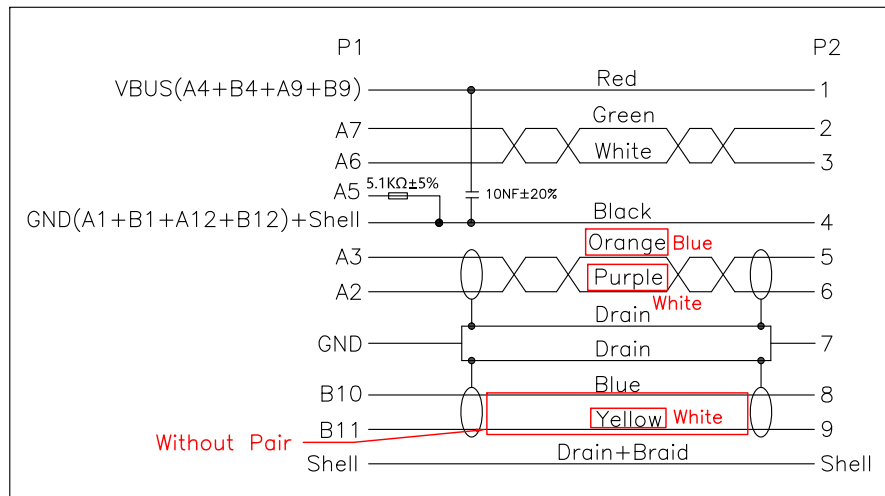
4

5

RoHS Compliant



PIN OUT:



P/N	L
105-1030-BL-00050-1	500±20
105-1030-BL-00100-1	1000±30
105-1030-BL-00200-1	2000±50
105-1030-BL-00300-1	3000±50
105-1030-BL-00500-1	5000±50

Note: Dimension in red represents old dimension

ITEM	DESCRIPTION	SPECIFICATION	USB Type C/M	Q'TY
1	Conn.	Type C Contact Gold Plated 3u", Insulator Black, OTG Rd=5.1kΩ, C1=10nf +Cable Clamp+Shell		1
2	Conn.	USB3.0 B/M Contact G/F, Insulator Blue+Cable Clamp+Shell	9P	1
3	Outer molding	45P PVC Color:Black BK-01		A/R
4	Cable	7/0.12TS+PEF, ID:0.90*2C+D7/0.12TS+AL+M)*2P+(7/0.12TS+HDPE, ID0.7*1P)+(7/0.2TS+PVC ID:1.05*2C)+(PP 3800X2)+AL+D7/0.12BS+96/0.12ALMAG+PVC OD:5.5mm Black		A/R

F				DRAWN:
E				
D				CHECKED:
C				
B				
A	25-Aug-2022		Andrew	APPROVAL:
REV	DATE	FILE	BY	

GENERAL TOLERANCE: .X=±0.3 .XX=±0.15	
UNIT: MM	DESCRIPTION:
SCALE: 1:1	TYPE C M TO USB3.0 B M CABLE
SHEET: 1/1	PART NO:
PROJECTION:	105-1030-BL-00XXX-1

CnC Tech
Industrial Cable and Connector Technology

SIZE
A4

A
B
C
D