

1

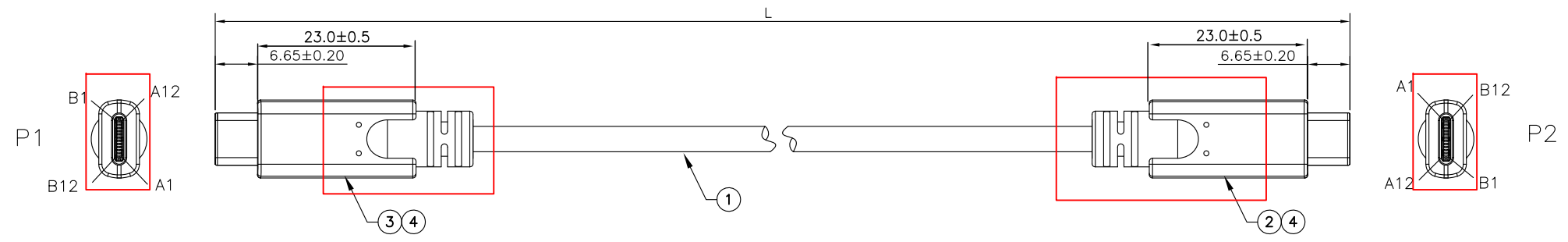
2

3

4

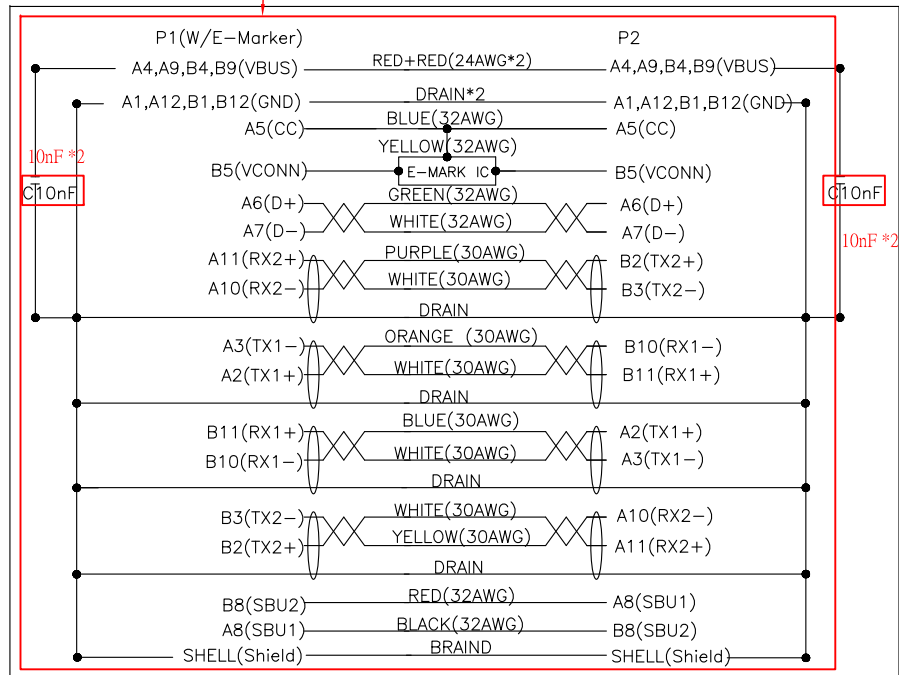
5

RoHS Compliant



Colour&AWG&Foil&Mylar

PIN OUT:



PART NO.	LENGTH
USBC-J210322-002A	L=500±30
USBC-J210322-002B	L=1000±50
USBC-J210322-002C	L=1500±50
USBC-J210322-002D	L=2000±60

NOTE:

- 1.OPEN/SHORT/INTERMITTENCE: 100%
- 2.HI-POT: 50V AC/0.01S 50V DC/0.01S
- 3.INSULATION RESISTANCE: 10M OHM (MIN)
- 4.CONDUCTIVE RESISTANCE: 3 OHM (MAX)
- 5.CAPACITANCE DETECTION: 10nF±20% BETWEEN A1 AND A4

ITEM	PART NO.	DESCRIPTION	Q'TY
1	CABLE	2725 (30AWGX1P+EAM)*4+(32AWGX1P+AM)+32AWGX4C+24AWG(7/0.20)X2C+E+AEB85% 16/11/0.08 DD=4.8mm OD=5.0mm	A/R
2	TYPE C/M	USB3.1 TYPE C/M PIN 30U" C1=10nF±20% INSULATOR BLACK,NICKEL PLATED SHELL	1
3	TYPE C/M	USB3.1 TYPE C/M PIN 30U" WITH IC C1=10nF±20% INSULATOR BLACK NICKEL PLATED SHELL	1
4	PVC	55P PVC MOLDING COLOR:BLACK	A/R

F			
E			
D			
C			
B			
A	23-Mar-2021	Julian	
REV	DATE	FILE	BY

DRAWN: Julian

CHECKED: Andrew

APPROVAL: Bill He

GENERAL TOLERANCE:
.X=±0.5
.XX=±0.3

UNIT: MM

SCALE: 1:1

SHEET: 1/1

PROJECTION:

CnC Tech
Industrial Cable and Connector Technology

DESCRIPTION: USB3.1 TYPE C TO USB3.1 TYPE C CABLE

PART NO: 105-1042-BL-00XXX-1

A4