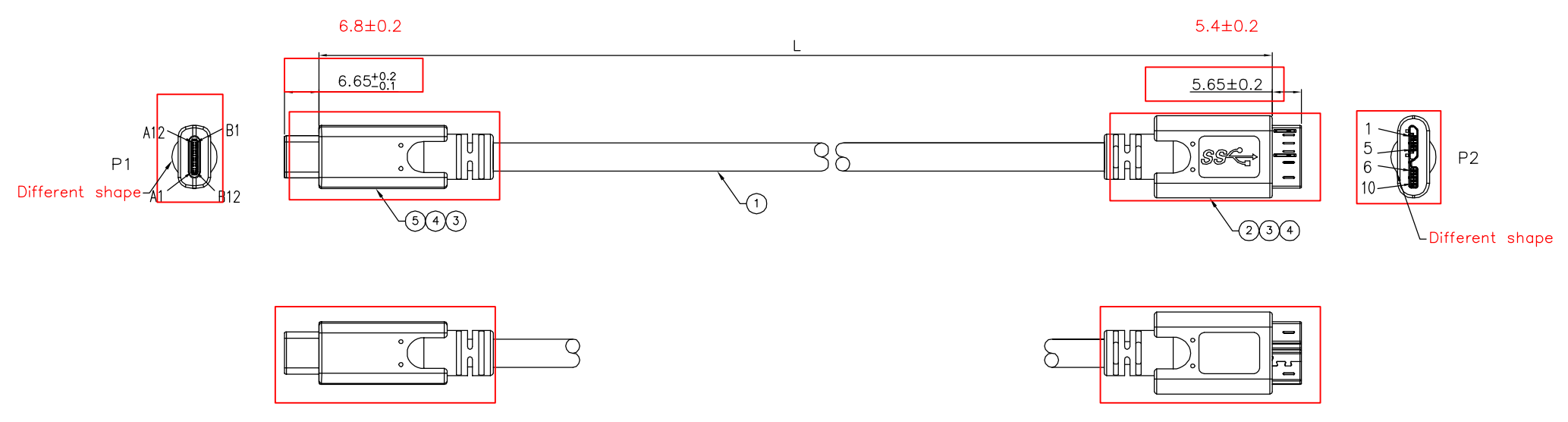
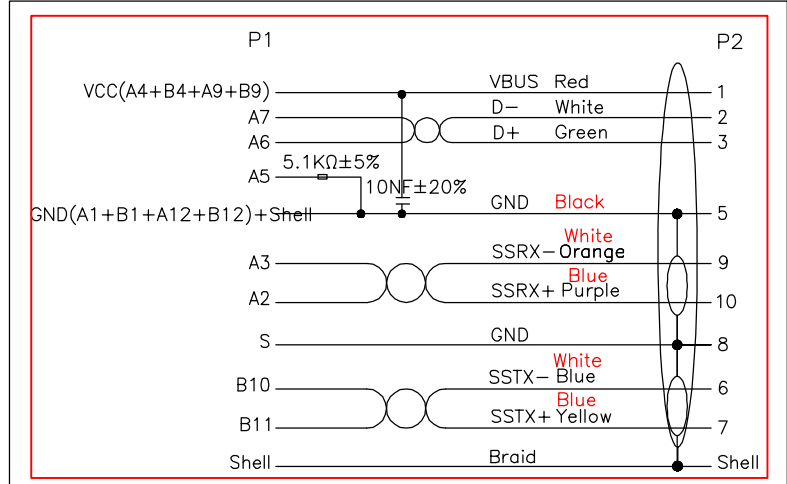


RoHS Compliant



PIN OUT:



Note: Dimension in red represents old dimension

- Notes:
- 1.Electrial Requirements:
 - 1.1 100% continuty test any Open,Short,Intermitence,Misswiring
 - 1.2 Conductive Resistance:3 Ohm Max.
 - 1.3 Insulation Resistance:5M Ohm Min.
 - 1.4 Dielectric Strength:300V DC

P/N	L
105-1092-BL-00050	500±30 ±0.20
105-1092-BL-00100	1000±40 ±0.30
105-1092-BL-00200	2000±50
105-1092-BL-00300	3000±60 ±0.50
105-1092-BL-00500	5000±80 ±0.50

ITEM	DESCRIPTION	SPECIFICATION	Q'TY
1	Cable	[28AWG(7/0.12TS)+PEF ID:0.90]*2C+(D7/0.12TS+AL+M)*2P+[28AWG(7/0.12TS)+HDPE ID:0.7]*1P +[24AWG(7/0.2TS)+PVC ID:1.05*2C]+(PP 3800X2)+AL+D7/0.12BS+96/0.12ALMAG PVC OD:5.5mm Black	A/R
2	Micro USB 3.0 B/M	Micro USB 3.0 B/M Contact 1u",Shell Nickel Plated	1Set
3	Inner molding	UV Glue+PE	A/R
4	Outer molding	45P PVC Color:Black	A/R
5	Type C/M	Type C 3.0 M Insulator Black,Contact 1u",Shell Nickel Plated C1=10nf Rd=5.1KΩ+Shielding	1Set

				DRAWN:
				CHECKED:
B				APPROVAL:
A	08-Jun-2021			
REV	DATE	FILE	BY	

GENERAL TOLERANCE:
 .X=±0.50
 .XX=±0.30

UNIT: MM
 SCALE:1:1

SHEET: 1 / 1

PROJECTION:

CnC Tech
 Industrial Cable and Connector Technology

DESCRIPTION: **USB 3.0 TYPE C/M TO MICRO USB 3.0 B/M CABLE**

PART NO: **105-1092-BL-00XXX**

SIZE: **A4**