

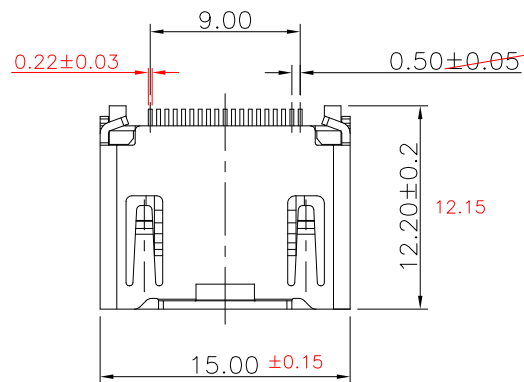
1

2

3

4

5



Specifications:

Current rating:0.5A AC/DC

Voltage rating:40V AC/DC

Contact resistance:30m ohm Max.

Insulation resistance: 100M ohm. Min.

Withstanding voltage:500V AC/minute.

Operating temperature range:-25°C~+85°C

Operating Temperature:-40°C~+85°C

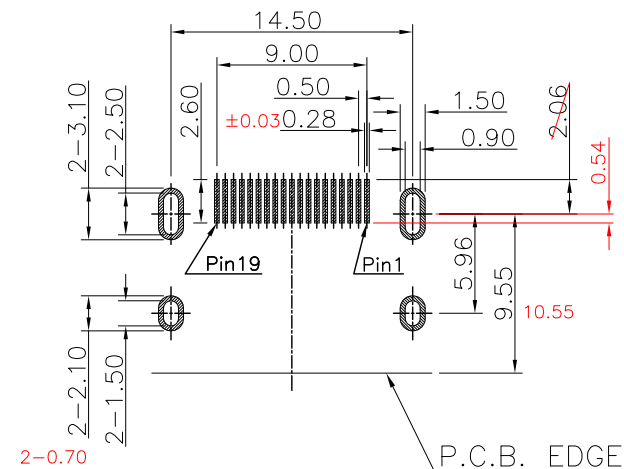
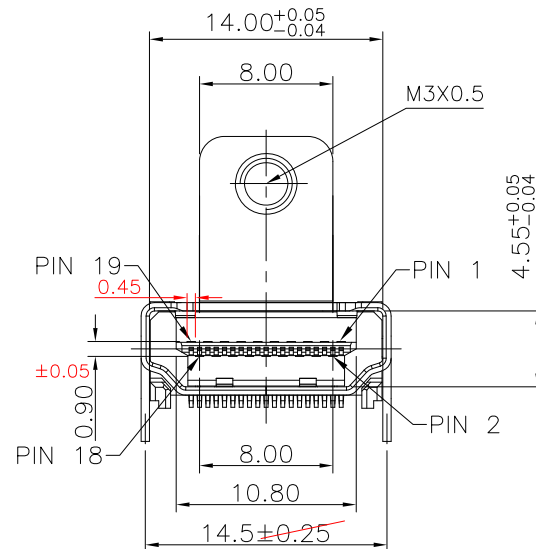
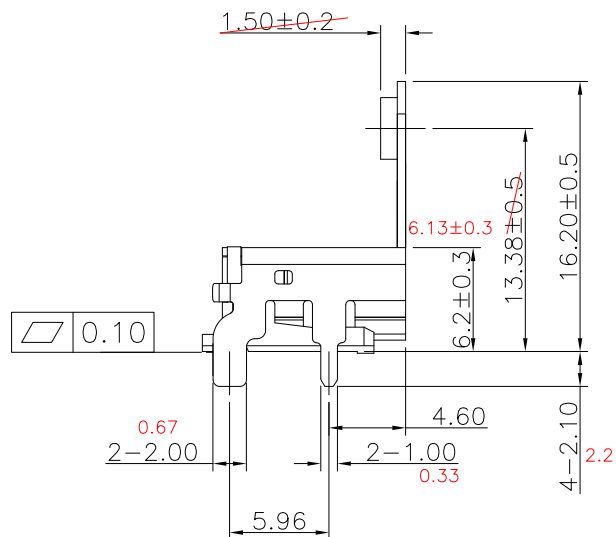
Material:

Insulator:LCP (UL94V-0),Black LCP(E130I)+30%G.F.

Contact:Copper Alloy Brass

Contact Plated:Gold Plated on Contact area,Tin on Solder Tails.

Shell:Copper Alloy With Nickel Plated Brass



PCB Layout

Note: Dimension in red represents old dimension

RoHS Compliant

				DRAWN:	GENERAL TOLERANCE: .X=±0.25 ±0.38 .XX=±0.15 ±0.25	CnC Tech Industrial Cable and Connector Technology	DESCRIPTION: HDMI-19Ways SMT Right Angle Type	SIZE A4
				CHECKED:	UNIT: MM			
					SCALE:1:1			
	05-FEB-2020			APPROVAL:	SHEET: 1 / 1	PART NO:	2000-1-2-23-00-BK	
REV	DATE	FILE	BY		PROJECTION:			