

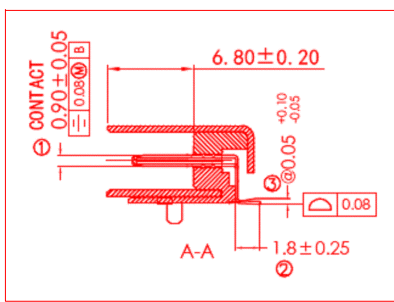
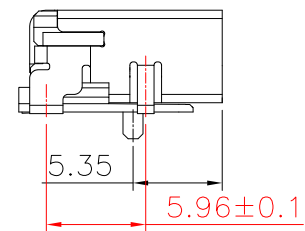
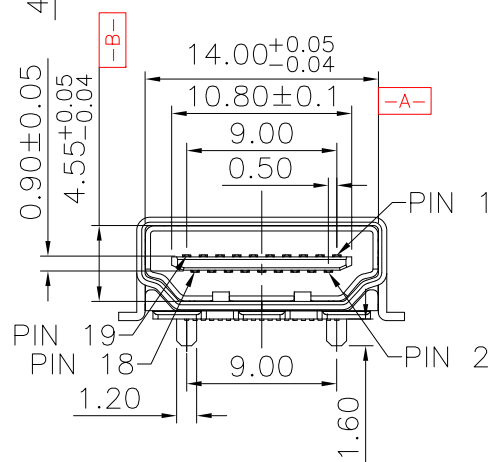
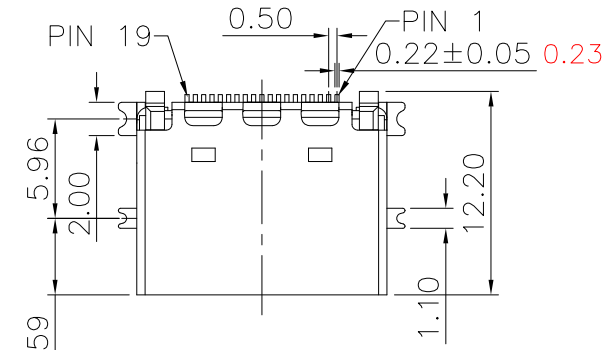
1

2

3

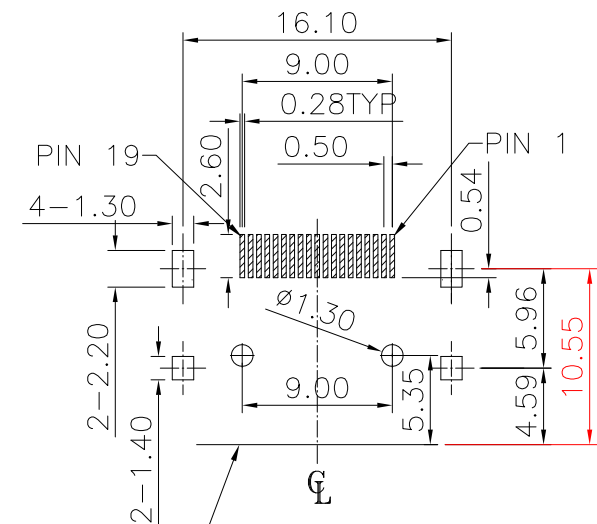
4

5



Specification:
 Current Rating:0.5A AC/DC.
 Voltage Rating:40V AC/DC
 Contact Resistance:30m ohm Max.
 Insulation Resistance: 100M ohm.Min.
 Withstanding Voltage:500V AC/Minute.
 Operating Temperature Range:-25°C To +85°C

Material and Finish:
 Insulator:LCP (UL94V-0)
 Insulator Color:Black.
 Terminal:Copper Alloy
 Terminal Plated:Gold Plated on Contact area,
 Tin Plated on Solder Tails.
 Shell:Copper Alloy With Nickel Plated



Connector Edge PCB Layout

RoHS Compliant

Note: Dimension in red represents old dimension

				DRAWN:	GENERAL TOLERANCE: .X=±0.25 .XX=±0.15	CnC Tech Industrial Cable and Connector Technology	DESCRIPTION: HDMI-19Ways SMT Right Angle Type	SIZE A4
				CHECKED:	UNIT: MM SCALE:1:1			
				APPROVAL:	SHEET: 1 / 1	PART NO:	2000-1-2-41-00-BK	
REV	DATE	FILE	BY		PROJECTION:			