

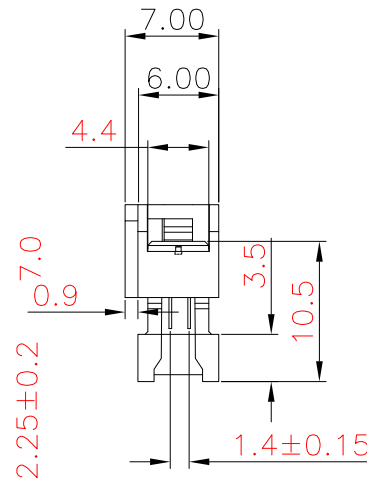
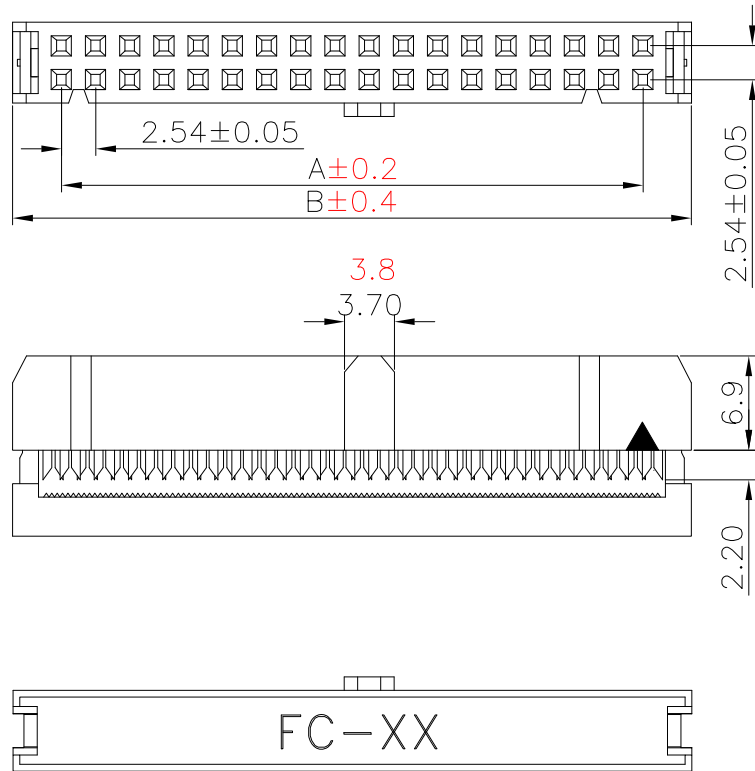
1

2

3

4

5



Specifications:

- Current rating:1.0A AC/DC
- Voltage rating:250V AC/DC
- Contact resistance:20m ohm max. **20M ohm**
- Withstanding Voltage:500V AC/minute
- Insulation resistance:1000M ohm min.
- Temperature Rating:-40°C ~ +105°C
- Materials:
- Insulator:PBT (UL94V-0)
- Standard Color:Black
- Contact:Copper Alloy **Brass**
- Finish:Selective Gold Plated
Gold Flash over Nickel

Circuits	Dim				Circuits	Dim			
	A	prior 20/06	B	prior 20/06		A	prior 20/06	B	prior 20/06
8	7.62	7.62	14.84	14.86	26	30.48	30.48	37.70	37.72
10	10.16	10.16	17.38	17.40	30	35.56	35.56	42.78	42.80
12	12.70	12.70	19.92	19.94	34	40.64	40.64	47.86	47.88
14	15.24	15.24	22.46	22.48	36	43.18	43.18	50.40	50.42
16	17.78	17.78	25.00	25.02	40	48.26	48.26	55.48	55.50
18	20.32	20.32	27.54	27.56	44	53.34	53.34	60.56	60.58
20	22.86	22.86	30.08	30.10	50	60.96	60.96	68.18	68.20
22	25.40	25.40	32.62	32.64	60	73.66	73.66	80.88	80.90
24	27.94	27.94	35.16	35.18	64	78.74	78.74	85.96	85.98

Note: Dimension in red represents old dimension

RoHS Compliant

				DRAWN:	GENERAL TOLERANCE: .X=±0.20 ±0.25 .XX=±0.15 ±0.20	<h1 style="color: red; text-align: center;">CnC Tech</h1> <p style="text-align: center;">Industrial Cable and Connector Technology</p>	
				CHECKED:	UNIT: MM		
					SCALE:1:1	<p style="text-align: center;">2.54MM Flat Cable IDC Socket</p>	
				APPROVAL:	SHEET: 1 / 2		
REV	DATE	FILE	BY		PROJECTION:	3030-XX-0102-00	